

DC-Switches

Solar Power Installation - Enclosed



PCE **M** **MERZ**

switch to Quality!

BENEFITS

* AUSTRALIAN STANDARDS: AS/NZS 5033:2014/AMDT 2:2018 –
INSTALLATION AND SAFETY REQUIREMENTS FOR PHOTOVOLTAIC (PV)



Comply with AS/NZS
5033:2014/Amdt 2:2018 *



Stainless steel screws for
enclosure cover/lid mount



2 Pole, 3-Pole, 4 Pole



Tested and Certified to
AS 60947-3:2018 AS/NZS
IEC60947.1:2015
Utilization category DC-PV2



Enclosed and rated IP66



Ambient temperature +70/-
25 degree Celsius



Lockout handle for 3
padlocks



Certified for use on Solar Power
Systems
Available for 1 and 2 MPPT



UV and weather-resistant
design for outdoor use

DESIGN WALL MOUNTING ENCLOSED ENCLOSURE 9982

All housing designs are also available without the housing variant



Available colours for all housing designs



MDC10-040-1000-21
2-pole - 1 MPPT

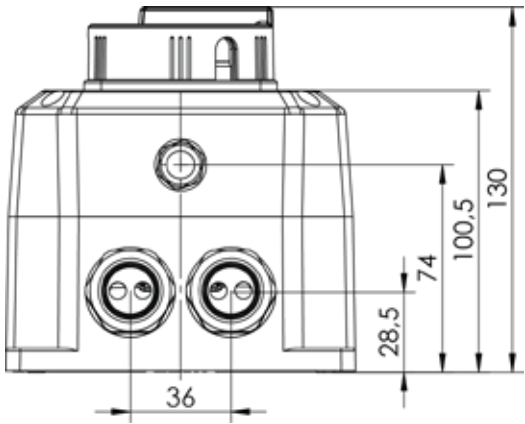
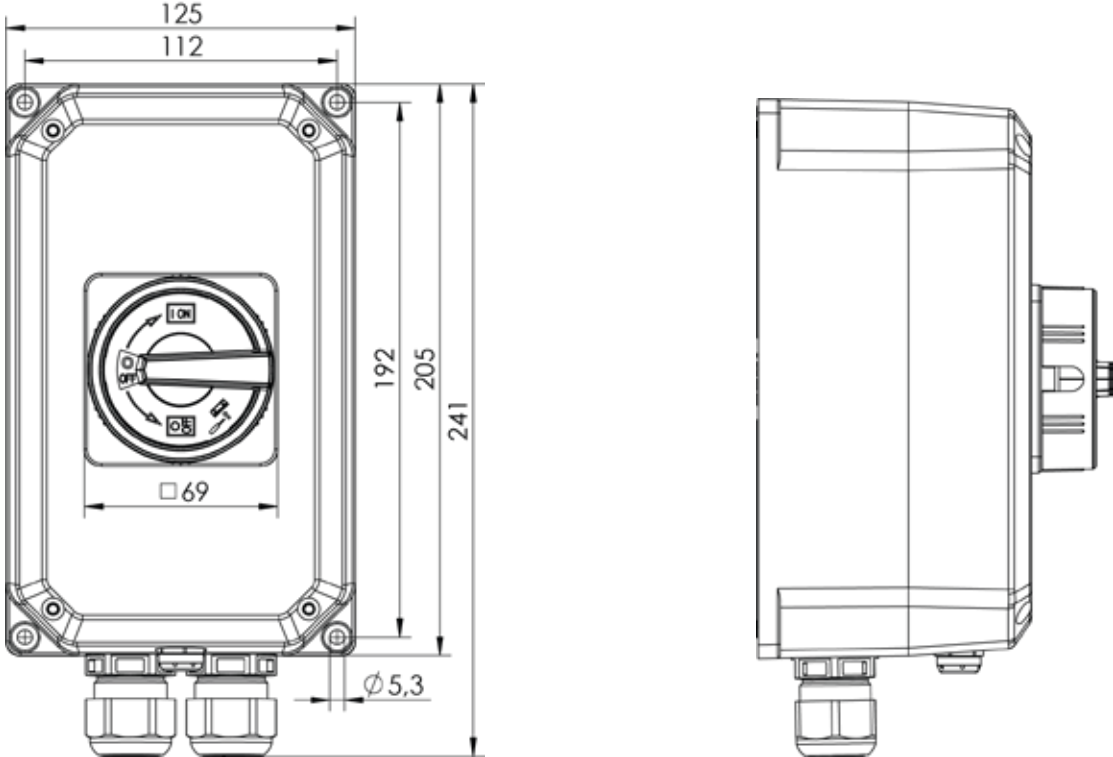


MDC10-040-1000-41
4-pole - 1 MPPT



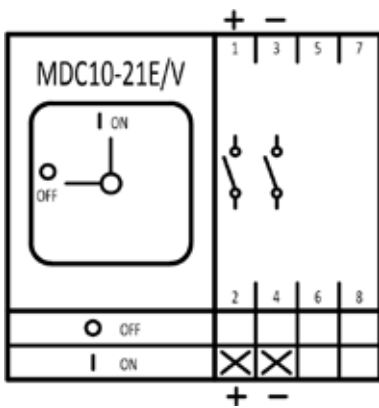
MDC10-040-1000-42
4-pole - 2 MPPT

DIMENSIONING

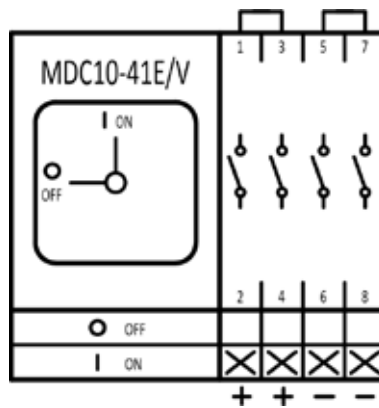


CONTACT DIAGRAMS MDC10

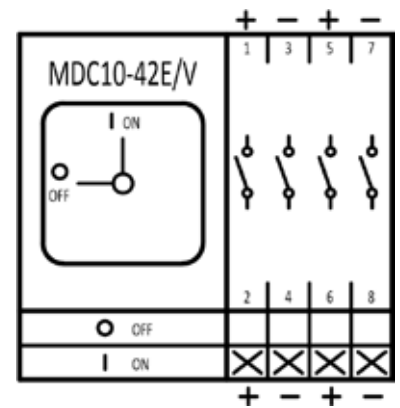
MDC10-040-1000-21



MDC10-040-1000-21



MDC10-040-1000-21



E-Variant = Front mounting

V-Variante = Base mounting



On-Off switches

Your individual switch

Tailored for your project. Contact us!

www.merz-schaltgeraete.de


Specifications

MDC10

MDC-10
040 1000 21

MDC-10
040 1000 41

MDC-10
040 1000 42

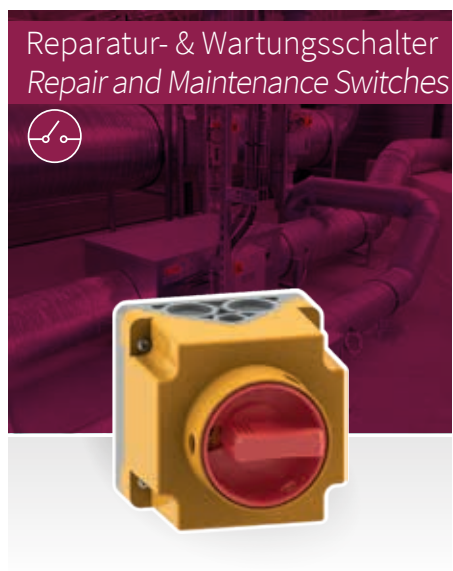
Available for 1 or 2 MPPT		MPPT	1	1	2
acc. IEC 60947-1, IEC 60947-3, CCC					
Rated insulation voltage		Vdc	1500	1500	1500
Conventional thermal current I_{th}	open	Adc	50	50	50
Rated impulse withstand voltage U_{imp}		kV	8	8	8
Ratings					
Rated operational voltage U_e	DC-PV1 / 21B	Vdc	400	400	400
Rated operational current I_e		Adc	50	50	50
Rated operational voltage U_e	DC-PV1 / 21B	Vdc	600	600	600
Rated operational current I_e		Adc	50	50	36
Rated operational voltage U_e	DC-PV1 / 21B	Vdc	800	800	800
Rated operational current I_e		Adc	25	50	25
Rated operational voltage U_e	DC-PV1 / 21B	Vdc	1000	1000	1000
Rated operational current I_e		Adc	* 20/16	50	* 20/16
Rated operational voltage U_e	DC-PV1 / 21B	Vdc	1200		1200
Rated operational current I_e		Adc	10		10
Rated operational voltage U_e	DC-PV1 / 21B	Vdc	1500	1500	1500
Rated operational current I_e		Adc	5	32	5
Rated operational voltage U_e	DC-PV2	Vdc	400	400	400
Rated operational current I_e		Adc	18	50	18
Rated operational voltage U_e	DC-PV2	Vdc	600	600	600
Rated operational current I_e		Adc	15	40	15
Rated operational voltage U_e	DC-PV2	Vdc	800	800	800
Rated operational current I_e		Adc	12	30	12
Rated operational voltage U_e	DC-PV2	Vdc	1000	1000	1000
Rated operational current I_e		Adc	9	25	9
Rated operational voltage U_e	DC-PV2	Vdc		1500	
Rated operational current I_e		Adc		15	
Rated short time withstand current I_{cw1sec}		Adc	600	600	600
Rated short time making capacity I_{cm}		Adc	600	600	600
Terminal cross section solid or multi-stranded	min./max.	mm ²	1,5 - 10	1,5 - 10	1,5 - 10
finely stranded with ferrule	min./max.	mm ²	1,5 - 10	1,5 - 10	1,5 - 10
Ambient temperature		C°	+75/-25	+75/-25	+75/-25
Torque terminal screws		Nm	1,2 - 1,4	1,2 - 1,4	1,2 - 1,4
acc. UL508i					
Rated operational voltage U_e		UL			600
Rated operational current I_e		UL			30
Rated operational voltage U_e		UL			800
Rated operational current I_e		UL			20
Rated operational voltage U_e		UL			1000
Rated operational current I_e		UL			10
Short circuit rating I_{SR}		UL			5
Max. fuse rating type gPV		UL			
		UL			
Cross-section // Conductor temperature ratings	UL	AWG/C°			14 - 8 / 105°
Maximum surrounding air temperature	UL	C°			+75
Torque terminal screws	UL	Nm			2,0
Environmental ratings					
Pollution degree		Cat.	3	3	3
Over voltage category		Cat.	III	III	III
Terminal rating					
Conductor material			Cu	Cu	Cu
Strip length		mm	12	12	12
Terminal screws		M	M4	M4	M4

* 16A according to CQC certificate (20A confirmed after internal test PB190416-01 el. Service life, PB190617-04 on-breaking capacity

*** only with ring cable lug, cross-section suitable for the current

WHAT ELSE WE OFFER:

Further product brochures on the following switch categories:



Distributor:



Leveltec Engineering Pty Ltd.
41 Tate Street NSW
2422 Gloucester
Australia
www.leveltec.com.au
sales@leveltec.com.au



MERZ Schaltgeräte GMBH + CO KG

Kernerstraße 15 Telefon +49 (0) 7971 252-252
D-74405 Gaildorf Fax +49 (0) 7971 252-351

info@merz-schaltgeraete.de
www.merz-schaltgeraete.de



Switch to Quality!