

# Aluminium Protection cover for MDC10 DC Solar Isolator



## Specification

Item Number: **LEV-BSH-SBH01**

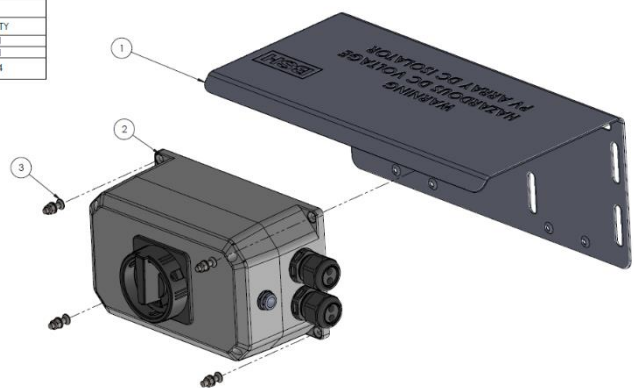


- Installation possible in number of configurations
- Robust material suited for direct exposure to sun
- Protection of isolator from impacts
- Compliant to AS/NZS 5033:2014 (amendment 2) and Clean energy councils technical bulletin 06.02.20

## FEATURES & BENEFITS

- Installation Fasteners supplied with bracket kit for seamless install.
- Mutli directional mounting
- Compliant Installation

BILL OF MATERIALS		
ITEM NUMBER	DESCRIPTION	QTY
1	ISOLATOR COVER	1
2	ISOLATOR	1
3	M5 x 20 Lg CSK Bolt & Nut / Washer	4



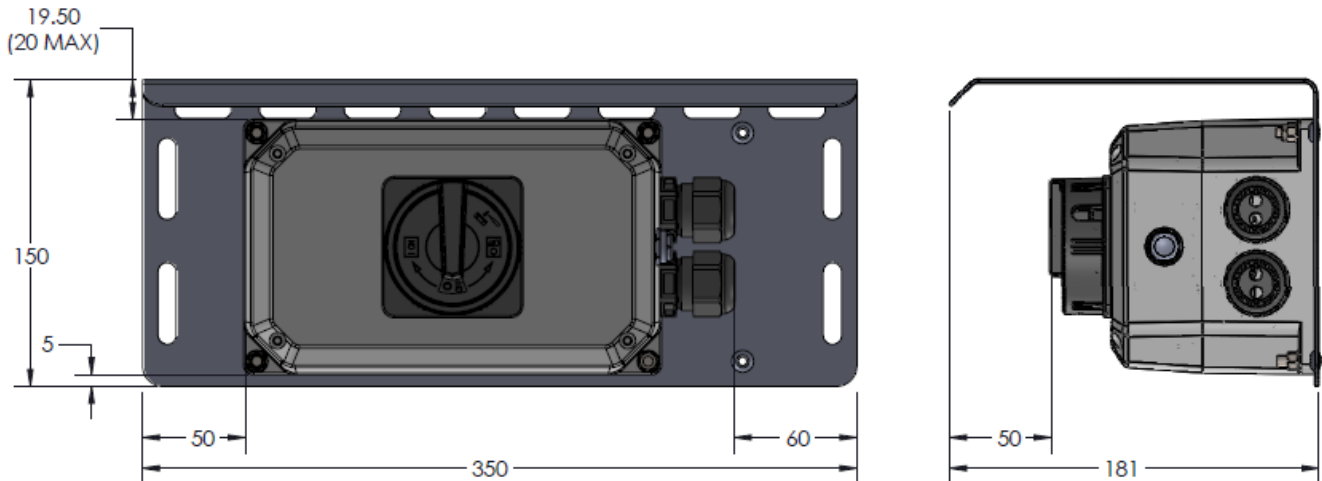
### APPLICATIONS:

Roof Top Solar

*See over page for ordering information.*

# SOLAR BRACKET - LEV-BSH-SBH01

## TECHNICAL DATA



ISOLATOR POSITION REVERSIBLE

## ORDER DETAILS

**MODEL:**

SOLAR BRACKET  
HORIZONTAL V1

**ACCESSORIES:**

SOLAR CONDUIT KIT V1

**PART NUMBER:**

LEV-BSH-SBH01

**PART NUMBER:**

LEV-KOD-SCK01



*NB. sold separately to  
Solar Bracket*



**LEVELTEC ENGINEERING PTY. LTD.**

Gloucester T +61 2 6558 9264 | Sydney T +61 2 9299 5630

E [sales@leveltec.com.au](mailto:sales@leveltec.com.au) W [www.leveltec.com.au](http://www.leveltec.com.au)