

TECHNICAL DATA SHEET

SURFACE MOUNTED BATHROOM ACCESSORIES

MODELS TR0081H TR033 & TR034

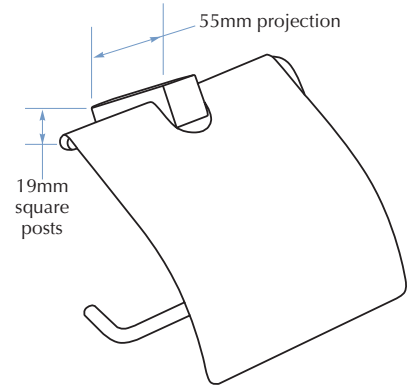
Options:
TR0081H Single Roll Holder with Hood
TR033 Robe Hook
TR034 Towel Ring



TRIUMPH TOILET ROLL HOLDER WITH HOOD TR0081H

- Polished stainless steel

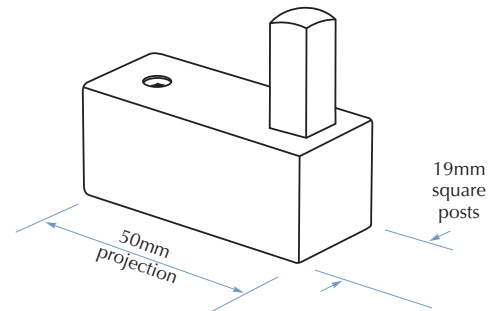
Overall Dimensions
55mm projection



TRIUMPH ROBE HOOK TR033

- Polished stainless steel

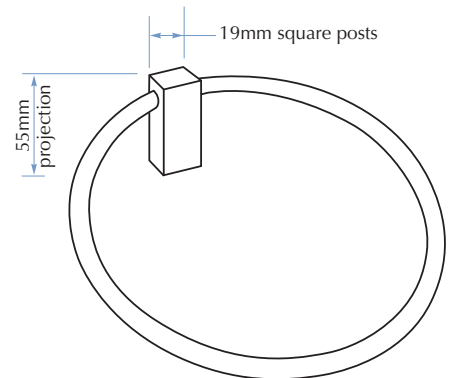
Overall Dimensions
50mm projection



TRIUMPH TOWEL RING TR034

- Polished stainless steel

Overall Dimensions
55mm projection



CONSTRUCTION:

Units fabricated of polished stainless steel with 19mm square posts.

CAPACITY:

TR0081H: Holds one standard core toilet tissue roll.
(Bradley Model 4004 x 2 Ply and Bradley Model 4008 x 1 Ply)

INSTALLATION:

Secure to wall with mounting screws (included) at holes provided.

TOLL FREE 1300 364 561

The manufacturer reserves the right to make changes in design and material without formal notice and without incurring obligation.

Bradley
AUSTRALIA.COM