

Timber Niki on Round Rose



Product Code: TNK-R05-SN-NUT-RAW

Description:

Natural, humble and elegant, the Timber Niki's enchanting simplicity and earthen charisma are a testament to the statement – less is more. Mounted on a round rose, the Timber Niki adds a captivating touch to any door.

Size Selected:

Full set

Material:

Brass

Dimensions:

Overall h60 x w60 x d55 (see line drawing download)

Finish:

Satin Nickel



Timber Finish:

American Black Walnut Raw



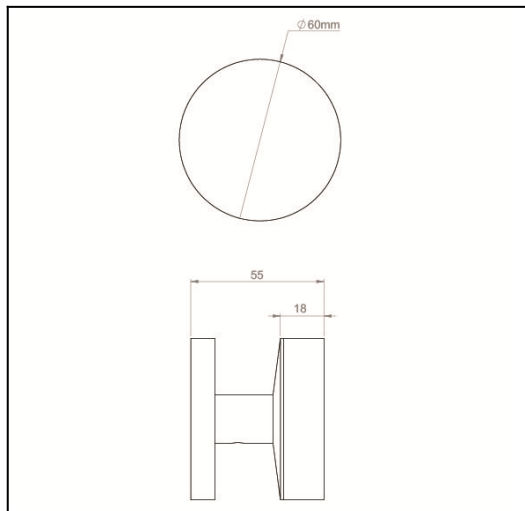
Door thickness:

Suits from 32mm to 52mm door as standard. For thicker doors longer screws and spindles are available.

Fixing:

Through bolt fixing, fully concealed. Self adjusting spindle 7.6mm to 8mm. Fits any lock or latch.

<http://www.designerdoorware.com.au/catalogue/56330>



Line Drawings

As a generic representation of the product, Line Drawings are designed for general use only and may not reflect specifics for all product options such as individual functions or sizes etc.

Contact Us

For any further clarification of this product information or for help and advice, please call us on +613 9300 8888.

Designer Doorware reserves the right to make changes in design, specification, or additions and improvements to our products without notice. Under no circumstances is Designer Doorware obliged to manufacture current products as previously supplied. Designer Doorware is not responsible for additions, alterations or assembly made to our products by others. By downloading this information, you accept and are bound by the Terms & Conditions of this website.

For full Terms & Conditions and Product Warranty information refer to www.designerdoorware.com.au.

© Designer Doorware - 7 Kimpton Way, Altona VIC 3018 Australia.



LIVING FINISHES

A glorious range of living finishes that add depth and warmth to every room. With no coating applied, these finishes will oxidise and age gracefully over time, morphing into the environment. It is natural to see variation all over the surface which will darken or lighten where frequently touched. With an occasional use of a nonabrasive wax, our living finishes can provide years of timeless beauty.

PVD (PHYSICAL VAPOUR DEPOSITION)

Our state-of-the-art process creates a molecular bond to the surface resulting in the most durable finish suitable for commercial and residential projects. PVD products offer a high level of durability and, whilst not indestructible, are resistant to corrosion, discolouration and tarnishing.

ELECTROPLATING

With minimal maintenance required and a variety of finishes to choose from, electroplating offers a contemporary hard-wearing finished metal surface, making these suitable for commercial or residential projects.

POWDER COATING

Make an impressive design statement with a large selection of colours. Powder coating provides better performance than wet paint and is more resistant to chipping, scratching and other wear because of the thermal bonding it undergoes during curing and the fact it can be applied in thicker layers.

MONTE TIMBER FINISHES

We offer our entrance pulls, levers, cabinet handles and blade pulls in a choice of two hardwood species - American White Oak and American Black Walnut. These two species can be purchased in either a raw or Scandinavian oiled finish, shown below.

Our timber is supplied from environmentally-friendly AFS and PEFC certified sources. Other timber species such as Blackbutt and Spotted Gum are available on request.



American White Oak - Raw (OAK-RAW)



American White Oak - Oiled (OAK-OIL)



American Black Walnut - Raw (NUT-RAW)



American Black Walnut - Oiled (NUT-OIL)

MONTE SUGI

Monte Collection, Monte Sugi uses a centuries old Japanese technique to breathe ancient mystery into new wood. While average treatments only cover the surface of wood, Shou Sugi Ban involves burning or charring wood with fire and smoke. Resulting a deep black that's long-lasting, sustainable finish with an alluring appeal.



Monte Sugi (MSU)

CONCRETE FINISHES

The Bullet+Stone Collection uses artisanal, hand-crafted concrete components and a variety of metal finishes to highlight the beautiful contrast between raw and sumptuous contemporary materials.

Concrete is not a homogeneous, uniform material and, just like natural wood or stone, the finished concrete's appearance will always have aesthetic variations of shade, colour, pattern and overall size.



Luna Grey (LGR)