

## Tubular priv. latch 60mm back set (R12 & R32)



**Product Code:** TC60-SSS

**Description:**

Tubular built-in latch and privacy feature for swinging doors. This is used in conjunction with all push button privacy levers. Lever set sold separately and drilled to match latch.

**Finish:**

Satin Stainless Steel



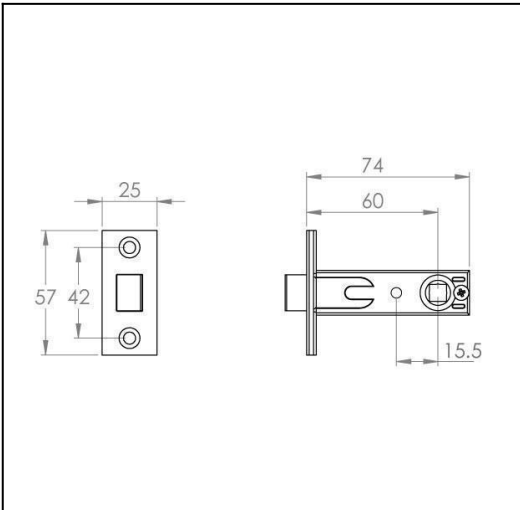
**Door thickness:**

Suits from 32mm to 52mm door as standard. For thicker doors longer screws and spindles are available.

**Fixing:**

Through bolt fixing, fully concealed. Self adjusting spindle 7.6mm to 8mm. Fits any lock or latch.

<http://www.designerdoorware.com.au/catalogue/14549>



**Line Drawings**

As a generic representation of the product, Line Drawings are designed for general use only and may not reflect specifics for all product options such as individual functions or sizes etc.

**Contact Us**

For any further clarification of this product information or for help and advice, please call us on +613 9300 8888.

Designer Doorware reserves the right to make changes in design, specification, or additions and improvements to our products without notice. Under no circumstances is Designer Doorware obliged to manufacture current products as previously supplied. Designer Doorware is not responsible for additions, alterations or assembly made to our products by others. By downloading this information, you accept and are bound by the Terms & Conditions of this website.

For full Terms & Conditions and Product Warranty information refer to [www.designerdoorware.com.au](http://www.designerdoorware.com.au).

© Designer Doorware - 7 Kimpton Way, Altona VIC 3018 Australia.