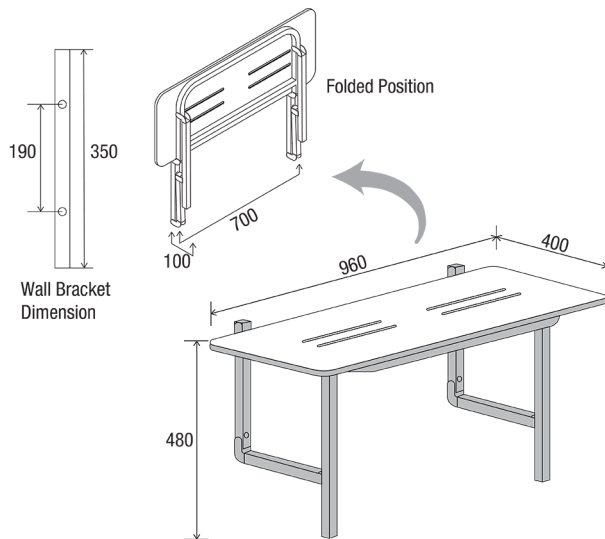


## PRODUCT INFORMATION

### DIMENSIONS



Suits all standard accessible suites

### INDICATIVE IMAGE



### FOLDING SHOWER SEAT

#### Product Code - Finish

- SS 964 SS - Satin Supreme™

#### Features

- 960 mm x 400 mm x 480 mm folding shower seat
- Maximum load 250 kg
- Mount seat deck 470 mm to 480 mm above finished floor level
- Fabricated from 304 stainless steel
- Polar White slip resistant UV stabilised HDPE rounded edge seat deck with self-draining channels
- Stainless steel fixings screws supplied
- Satin Supreme™ finish

#### Compliance

- Complies with section 12 of AS 1428.1:2021 for Accessible unisex sanitary facilities



#### Warranty

See Con-Serv warranty policy for full details.

CON-SERV CORPORATION AUSTRALIA PTY. LTD.

17 Glentanna Street, Kedron · Qld. 4031 Australia

Phone: +61 (0)7 3630 5744 · Fax: +61 (0)7 3630 5755 · Email: mail@con-serv.com.au · www.con-serv.com.au