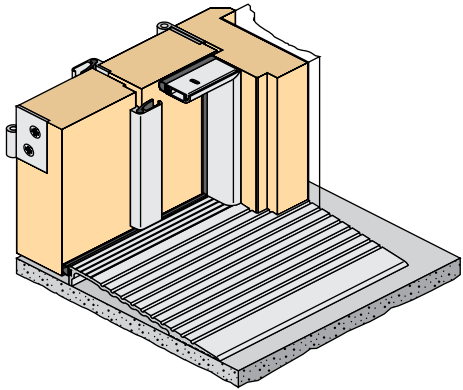
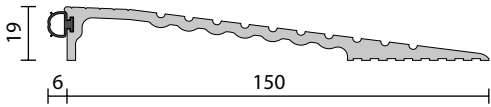


RP97Si



## FITTING INSTRUCTIONS

### Threshold Plate Seal Anti-microbial Silicon Gasket



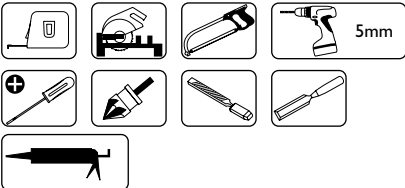
R37913

Category J gaskets for use with Listed steel frames and/or Classified steel covered composite, hollow metal doors rated up to 3 hrs; wood and plastic covered composite doors rated up to 1-1/2 hrs; and wood core doors rated for 20 minutes.

## DETAILS

### LOCATION

Door sills abutting outward opening butt hinged doors. Not recommended for pedestrian entry doors.

**TOOLS**


## ADDITIONAL DETAILS

### FIXING METHOD

Zinc plated, cross recess head CSK S.T. screws of the appropriate size and colour are supplied, or it can be fastened with adhesive (by others).

### DESCRIPTION

A threshold plate seal best suited for outward opening butt hinged doors. When used in conjunction with RP93Si and RP16Si an excellent smoke and acoustic system is achieved. For acoustic applications the void under the RP97Si should be filled with sound foam or other suitable material (by others). Conforms to NCC D3D16 Thresholds (a), (b), (c).

The RP67 drip strip should be considered for above the doorway if there is no eave.

Ideal for use in conjunction with the RP93Si perimeter seal and Raven astragals.

Note: when ordering, specify longer length than doorway to allow for neat installation around door frame.

RAVEN PRODUCTS PTY. LTD.  
18-22 Aldershot Rd,  
Lonsdale SA 5160 Australia  
T +61 8 8384 5455  
raven.com.au

certifire  
CF-5710

Raven Products is an  
ISO9001 QMS company  
certified by SGS

Designed and produced by  
Raven Products Pty Ltd  
(Australia)

Made in P.R.C. by Raven

Copyright: 05/24 (E)

Part No. ZSDSRP97Si

**NOTES**

- » It may be necessary to check out the threshold ramp ends to allow for the door jamb/stops. Where the threshold ramp meets the door jamb/stop, sealant may be applied (user determined).
- » If threshold ramp protrudes from doorway, it may be necessary to provide a side return to comply with ASI428.1 Part 7.5. Cut ends at 45° to create a mitre join, or a cement/grout ramp can be made (user determined) (FIG.3).
- » Can be fixed with high strength, multipurpose polyurethane adhesive such as Sikaflex I IFC or equivalent.

**STEP 1** Machine cut threshold ramp to required length to suit application (FIG.1 & FIG.3).  
**Note:** Use a length wider than door opening to provide a side return for a neat detail at door frame (user determined) (FIG.3).

**STEP 2** Check out the aluminium ends to allow for door stops and jamb profile (FIG.1 & FIG.3).

**STEP 3** With door closed, position threshold ramp on door sill so silicon gasket lightly engages door face. Pencil mark location of threshold ramp on door sill for reference. Open the door.

**SCREW FIXING**

**STEP 4** If screw fixing, drill and countersink threshold ramp to suit screws supplied.

**STEP 5** Position threshold ramp at marked location.

**STEP 6** Drill pilot holes to suit (drill and plug for concrete). Drive screws in firmly but do not overtighten.

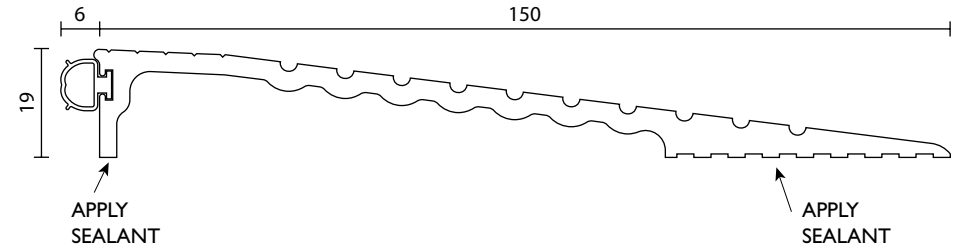
**STEP 7** Apply silicon sealant to seal at sill (by others) (FIG.2).

**ADHESIVE FIXING**

**STEP 8** If adhesive fixing, apply builders adhesive to ribbed underside of threshold ramp (refer notes) (FIG.2).

**STEP 9** Adhesive fix threshold ramp at marked location.

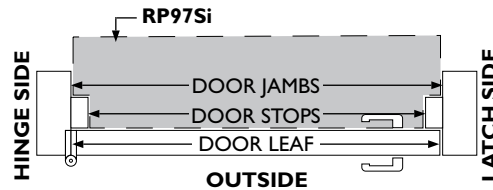
**FIG.2**



**FIG.1**

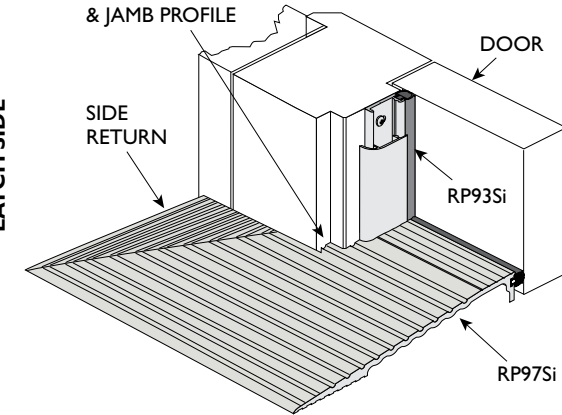
**PLAN VIEW**

**BUTT HINGE DOOR (OUTWARD OPENING)**



**FIG.3**

CHECK OUT ALUMINIUM TO ALLOW FOR DOOR STOP & JAMB PROFILE



**SIDE RETURN DETAIL PLAN VIEW**

