

## DESCRIPTION

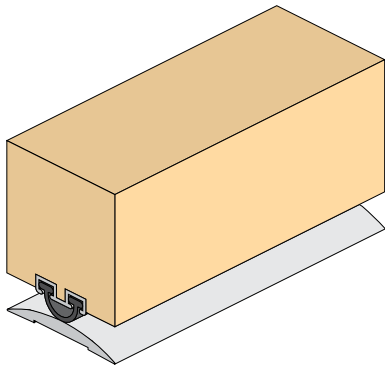
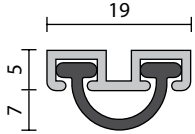
The RP30 is a heavy duty sweep/compression seal. The RP30 is fitted into a concealed, machined groove that should be deep enough to allow packing for adjustment. Forms a weather seal when used with Raven RP13 or RP82 threshold plates.

RP30



## FITTING INSTRUCTIONS

## Door Bottom Seal



## DETAILS

## LOCATION

Bottom of doors, meeting stiles or user determined bumper strip.

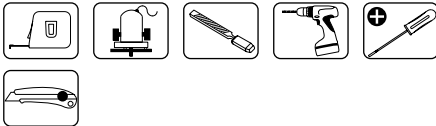
## MIN/MAX GAP

3mm to 8mm (user determined).

## FIXING METHOD

Zinc plated, cross recess head S.T. screws of the appropriate size are supplied.

## TOOLS



RAVEN PRODUCTS PTY. LTD.  
18-22 Aldershot Rd,  
Lonsdale SA 5160 Australia  
T +61 8 8384 5455  
raven.com.au

Raven Products is an  
ISO9001 QMS company  
certified by SGS

Designed and produced by  
Raven Products Pty Ltd  
(Australia)

Made in P.R.C. by Raven

Copyright: 07/24 (B)

Part No. ZSDSRP30

## INSTALLATION

## NOTES

» It is important to have a raised sealing surface for the RP30 gasket to seal onto. This is to allow the gasket to clear flooring when door is opened. RP13 or RP82 are recommended to provide this function.

**STEP 1** Remove door from hinges.

**STEP 2** Using a router, place a groove in the centre of the bottom of the door to suit RP30. Adjust groove depth to suit. (FIG.2 & FIG.3)

**STEP 3** To prevent damage, remove rubber gasket from aluminium carrier before cutting. (FIG.3)

**STEP 4** Machine cut aluminium carrier to full width between door jambs less 2mm for clearance on latch side. Use a file to remove sharp edges. (FIG.1)

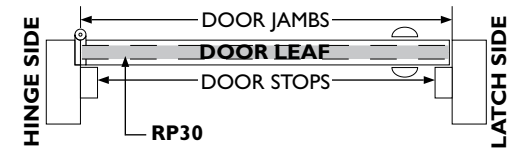
**STEP 5** Position aluminium carrier in bottom of door. Drive screws in firmly but do not over tighten.

**STEP 6** Cut gasket to size with a sharp wet blade and reposition into aluminium carrier. Neatly buff or centre punch each end of aluminium to lock in gasket preventing creep. Rehang door.

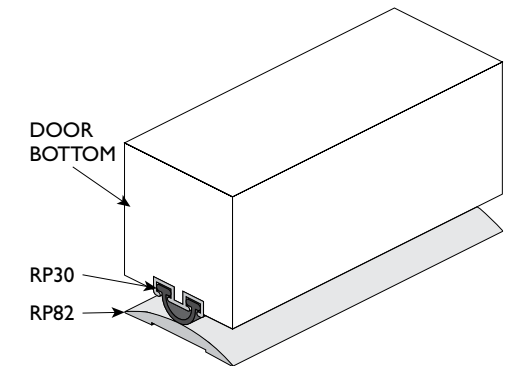
**STEP 7** Open and close the door to check for correct seal engagement with RP13 or RP82 (packing can be used if adjustment is required).

## FIG.1

## BUTT HINGE DOOR

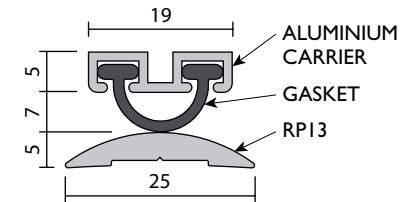


## FIG.2



## FIG.3

## RP30 / RP13



## RP30 / RP82

