

DESCRIPTION

RP29 is a wide, heavy duty threshold plate with a ribbed profile and integral sill gaskets. They are ideal for use with pivot hinge doors.

Can be used in conjunction with Raven door bottom seals to prevent rain, draughts, noise and smoke infiltration.

RAVEN PRODUCTS PTY. LTD.
18-22 Aldershot Rd,
Lonsdale SA 5160 Australia
T +61 8 8384 5455
raven.com.au

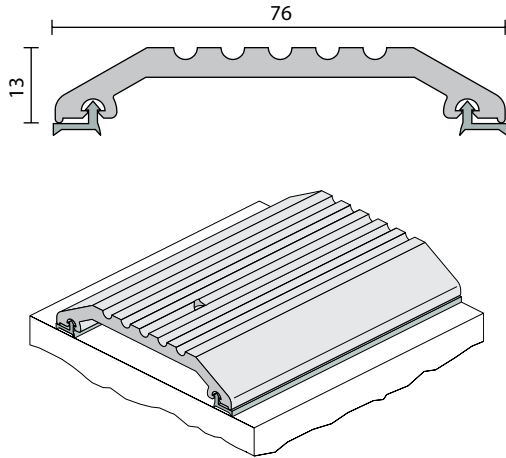
Raven Products is an
ISO9001 QMS company
certified by SGS

Designed and produced by
Raven Products Pty Ltd
(Australia)

Made in P.R.C. by Raven
Copyright: 03/25 (E)
Part No. ZSDSRP29

RP29**FITTING INSTRUCTIONS**

Threshold Plate



Category J gaskets for use with Listed steel frames and/or Classified steel covered composite, hollow metal doors rated up to 3 hrs; wood and plastic covered composite doors rated up to 1-1/2 hrs; and wood core doors rated for 20 minutes.

DETAILS**LOCATION**

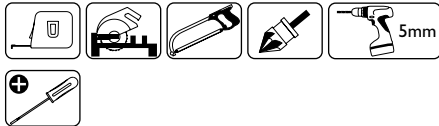
Door sill.

FIXING METHOD

Zinc plated, cross recess head S.T. screws of the appropriate size and colour are supplied.

USED IN CONJUNCTION

Door bottom seals.

**TOOLS****INSTALLATION****NOTES**

» If installing a door bottom seal refer to door bottom seal instructions for correct fitting location of the RP29. It may be necessary to check out the threshold plate ends to allow for the door stops. Where the threshold meets door jamb, sealant may be applied (user determined).

STEP 1 Machine cut threshold plate to full width between jambs and door stops. **(FIG.1)**

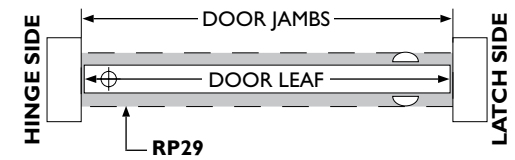
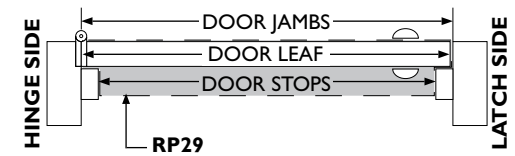
STEP 2 Drill and countersink threshold plate to suit 8 gauge screws provided.

STEP 3 Position threshold on door sill to suit application. **(FIG.2)**

STEP 4 Drill and plug for concrete.

STEP 5 Screw fix firmly but do not over tighten.

Note: If screw fixing in exposed external coastal areas, substitute the supplied fixing screws with equivalent stainless steel screws.

FIG.1**PIVOT DOOR****BUTT HINGE DOOR****FIG.2**