

ADDITIONAL DETAILS

USED IN CONJUNCTION

Door bottom seals RP2B, RP74 (RP8Si butt hinged doors).

DESCRIPTION

A heavy duty threshold plate designed for butt hinged, single, double, or pivot hinge doors. It allows the door leaf to clear high pile carpets which have been laid up to the frame. It has been designed to accommodate concealed screw fixings through the door jambs.

An aluminium door frame, complete with the threshold plate, can be assembled by a door fabricator prior to transporting as a complete unit. RP18 will accommodate Pivot Sets for most types of Transom Closers.

Used in Conjunction with Raven door bottom seals RP2b and RP74 (RP8Si butt hinged doors).

RAVEN PRODUCTS PTY. LTD.
18-22 Aldershot Rd,
Lonsdale SA 5160 Australia
T +61 8 8384 5455
raven.com.au

Raven Products is an
ISO9001 QMS company
certified by SGS

Designed and produced by
Raven Products Pty Ltd
(Australia)

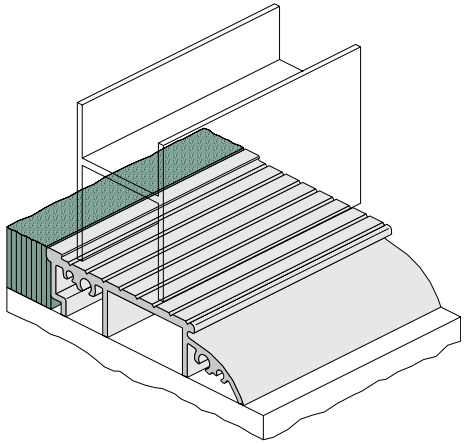
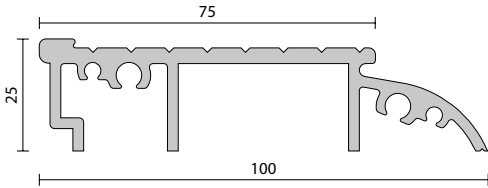
Made in P.R.C. by Raven
Copyright: 06/24 (D)
Part No. ZSDSRP18

RP18



FITTING INSTRUCTIONS

Threshold Plate



Category J gaskets for use with Listed steel frames and/or Classified steel covered composite, hollow metal doors rated up to 3 hrs; wood and plastic covered composite doors rated up to 1-1/2 hrs; and wood core doors rated for 20 minutes.

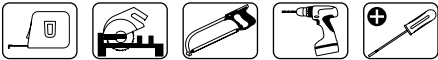
DETAILS

LOCATION

Door sill of single, double butt hinged or pivot hinged doors.

STANDARD FINISH

Anodised Satin Clear.



TOOLS

INSTALLATION

NOTES

» If installing a door bottom seal refer to door bottom seal instructions for correct fitting location of the RP18. It may be necessary to check out the threshold plate ends to allow for the door stops. Where the threshold meets door jamb, sealant may be applied (user determined).

STEP 1 Machine cut threshold plate to full width between jambs or door stops. **(FIG.1)**

STEP 2 Drill and countersink threshold plate to suit 8 gauge x 50mm CSK screws **(not supplied)**. **For fabricator:** Drill holes in door jamb to locate with screw holes provided in RP18. **(FIG.2)**

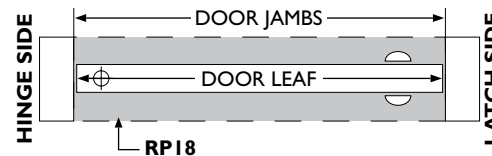
STEP 3 Position threshold on door sill to suit application.

STEP 4 Screw fix firmly but do not over tighten.

STEP 5 Silicon sealant should be used to seal at sill **(FIG.3 & FIG.4)**

FIG.1

PIVOT DOOR



BUTT HINGE DOOR

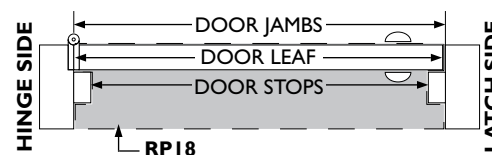


FIG.2

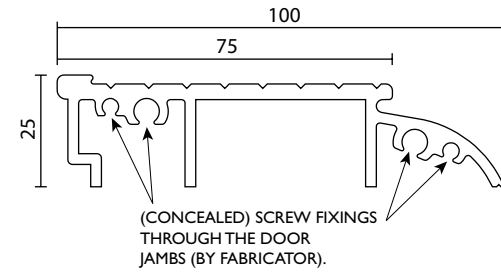


FIG.3

BROAD BUTT HINGED DOOR

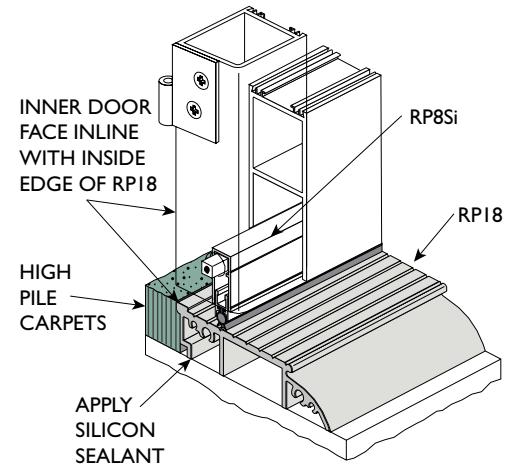


FIG.4

PIVOT HINGED DOOR

CENTRE OF RP18
IN LINE WITH
CENTRE OF PIVOT

