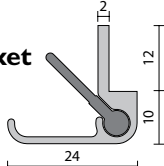


RP16Si**FITTING INSTRUCTIONS**

Astragal Seal
Anti-microbial Silicon Gasket



Category J gaskets for use with Classified steel covered composite, hollow metal doors rated up to and including 3 hrs; wood and plastic covered composite doors rated up to and including 1-1/2 hrs; and wood core doors rated for 20 minutes.

DETAILS**LOCATION**

Meeting stiles of double butt hinged doors.

MIN/MAX GAP

2.5mm to 8mm.

STANDARD FINISH

Anodised Satin Clear, Bronze or Black, PE paint.

FIXING METHOD

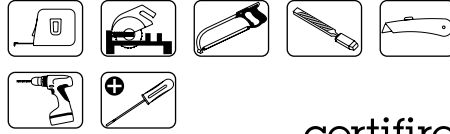
Zinc plated, countersunk, cross recess head S.T. screws of the appropriate size and colour are supplied. Seal can be rebated or face mounted.

REPLACEMENT SEAL

RP316Si.

DESCRIPTION

RP16Si is an acoustic, smoke astragal. Its proven design is effective in sealing the meeting stiles of plain or rebated double doors. Its aluminium trim neatly conceals the sealing portion of the seal and provides a secure weatherproof rebate stop. If necessary, its aluminium fixing leg can be checked out to allow for locks and latches.

TOOLS

certifire
CF 5710

RAVEN PRODUCTS PTY. LTD.
18-22 Aldershot Rd,
Lonsdale SA 5160 Australia
T +61 8 8384 5455
raven.com.au

Designed and produced by
Raven Products Pty Ltd
(Australia)

Made by Raven in P.R.C.

Copyright: 06/24 (E)

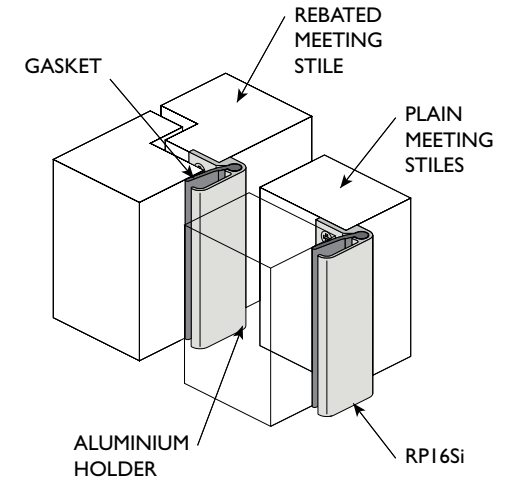
Part No. ZSDSRP16Si

Raven Products is an
ISO9001 QMS company
certified by SGS

INSTALLATION**NOTES**

» For best results, it is better to use two seals, that is, one for each leaf. Refer systems example **(FIG.2)**

- STEP 1** Slide gasket back to prevent damage to the rubber seal. Machine cut aluminium holder to required length. **(FIG.1)**
- STEP 2** Remove sharp edges with a file.
- STEP 3** Slide gasket back into position leaving a generous length overhang.
- STEP 4** Use 2mm drill for pilot holes and screws.
- STEP 5** Position seal on door and carefully trim gasket to suit application using a sharp wet blade. **(FIG.1)**
- STEP 6** Drive screws firmly into pilot holes but do not over tighten.
- STEP 7** Open and close door to check for correct latching.

FIG.1**PAGE 1 OF 1****FIG.2**