

# TOILET PARTITION HARDWARE



## OL105

Overlapping Lift Off Spring Hinge

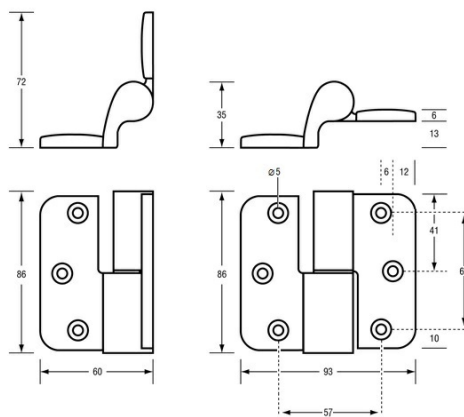
### Specification

Material	Diecast Zinc, Brass Shaft, Nylon Inserts, ABS Snap-On Covers
Finish	Satin Chrome Plate
Mounting	Screw Fix or Bolt Through
Specify	Hold Open or Hold Closed Right Hand or Left Hand
Note	Suits 13mm Thickness Material For Bolt Through use 105C_FACEPLATE_SCP Concealed Fix Face Plates All Hinges supplied with Covers (discard if not required)
	Note: All hinges are available with or without fixings. Please nominate your requirements at the time of ordering.

Related Video [Stainless Steel Cleaning & Maintenance](#)

[Accessibility and safety features of Metlam Australia Toilet Partition Hardware and how to use them](#)

[Troubleshooting for your Metlam Australia Toilet Partition Hardware - Hinges](#)



## Care & Maintenance

*The photographs and line drawings of the products presented above are representational only. Metlam Australia Pty Ltd reserves the right to, and from time to time, make changes and improvements in design and dimensions.*