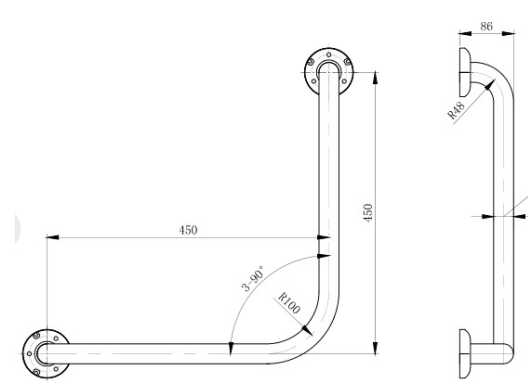


MLR112_SS

90° Ambulant Grab Rail in Satin Stainless Steel

Dimensions: 450mm X 450mm



SPECIFICATION

Material	#304 Grade Stainless Steel - 32mmØ
Finish	Satin Stainless Steel
Mounting	Concealed Fix - 78mmØ Mount Stand-off 55mm +/-

NOTES

- For Metlam Australia Care and Maintenance Guidelines, Installation Instructions, Product Specifications, and Warranty Details, please refer to the Product User Guide Tab.

 Deemed to satisfy Disability Standard AS1428.1 for ambulant cubicle specification only.

 For more in depth information, visit the product online:
https://metlam.com.au/category/ambulant-and-accessible-compliant-grab-rail/MLR112_SS