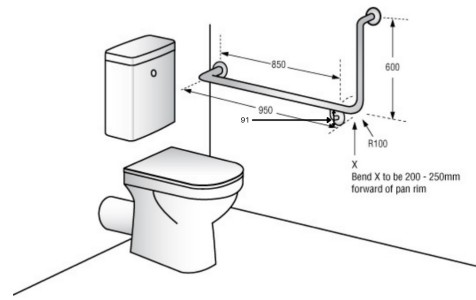


## MLR103X\_SS

90° Flush Mount Side Wall LH Grab Rail in Satin Stainless Steel

Dimensions: 950mm x 600mm



### SPECIFICATION

<b>Material</b>	#304 Grade Stainless Steel - 32mmØ
<b>Finish</b>	Satin Stainless Steel
<b>Mounting</b>	Concealed Fix - 78mmØ Mount Stand-off 55mm +/-



This unit is accessible compliant when installed in accordance with AS1428.1. guidelines.



For more in depth information, visit the product online:  
[https://metlam.com.au/category/ambulant-and-accessible-compliant-grab-rail/MLR103X\\_SS](https://metlam.com.au/category/ambulant-and-accessible-compliant-grab-rail/MLR103X_SS)