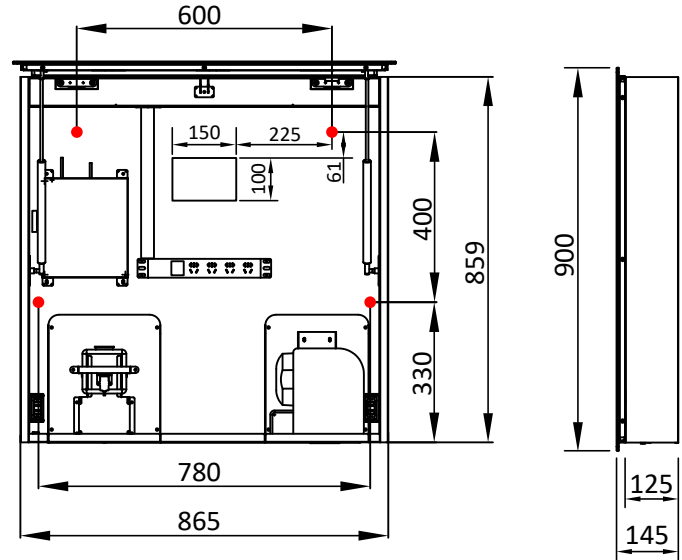


## ML\_IMC2\_LUX Integrated Mirror Fronted Cabinet

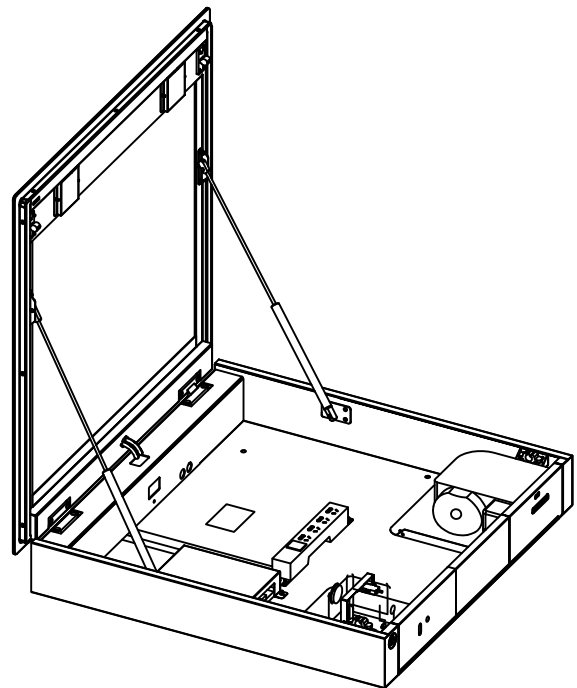
### Notes

- Please note: **MIRRORS MUST BE INSPECTED WITHIN 48 HOURS OF DELIVERY FOR ANY DEFECTS, DAMAGE OR MISSING COMPONENTS.**
- This unit is powered by a standard Australian power cable. A power outlet with an isolator switch should be situated within 1mt above the unit. Please check with your electrician for suitable power supply.
- May be subject to Australian Building Code Regulations for height and location fixing and may be subject to placement as per architectural drawings. In all cases, this is the responsibility of the installer.



### Installation Guidelines

- Please refer to the architectural drawings for required product placement and height.
- **UNIT MUST BE ATTACHED TO A SOLID WALL OR IN-WALL SUPPORT**
- Locate the 4x mounting holes on the back of the unit. Based on the installation height required, mark the 4x mounting points on the wall.
- Using a drill, drill 4 mounting holes in the marked locations on the wall.
- Drive the 4x M8 80mm expansion bolts provided into the drilled mounting holes.
- Open the front of the mirror to approx. 45°.
- Using two people, lift the mirror cabinet and slowly align it with the expansion bolts on the wall.
- After placing the unit over the expansion bolts, secure the unit with nuts to complete the installation.
- Attach the power cord to a power supply & test to ensure all functions are working correctly.



### Expansion bolts



*The technical recommendations contained in this document are necessarily of a general nature and should not be relied on for specific applications without first securing competent advice. Whilst Metlam Australia Pty Ltd has taken all reasonable steps to ensure the information contained herein is accurate and current, it does not warrant the accuracy or completeness of the information and does not accept liability for errors or omissions. Any Commercial product should only be installed by a competent tradesperson and serviced/maintained by knowledgeable janitorial staff or competent people. Metlam Australia accepts no responsibility for any damage to product, walls or fixtures due to incorrect installation or maintenance of any of their products.*

The photographs and line drawings of the products presented above are representational only. Metlam Australia Pty Ltd reserves the right to, and from time to time, make changes and improvements in design and dimensions.