

# GRAB RAILS & BACK RESTS

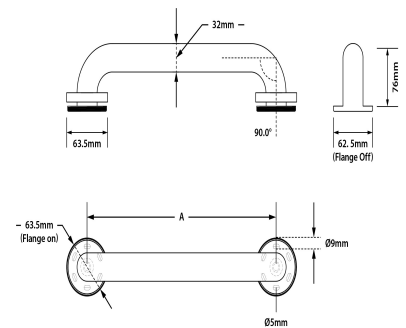


## ML\_GR450X32\_POLISHED

Polished Stainless Steel 450mm Straight Grab Rail

### Specification

Material	#304 Stainless Steel - 32mmØ
Finish	Polished Stainless Steel
Features	Concealed Fix screw-on Flange Cover
Mounting	Concealed Fix - 78mmØ Mount
Dimensions	450mm C to C
Also Available	ML_GR300X32_POLISHED - 300mm C to C ML_GR600X32_POLISHED - 600mm C to C ML_GR750X32_POLISHED - 750mm C to C ML_GR900X32_POLISHED - 900mm C to C ML_GR1200X32_POLISHED - 1200mm C to C
Note	* This unit is accessible compliant when installed in accordance with AS1428.1. guidelines.
Related Video	<a href="#">Stainless Steel Cleaning &amp; Maintenance</a>



### Downloads & Resources

Care & Maintenance

Installation instructions

*The photographs and line drawings of the products presented above are representational only. Metlam Australia Pty Ltd reserves the right to, and from time to time, make changes and improvements in design and dimensions.*