

# SOAP DISPENSERS

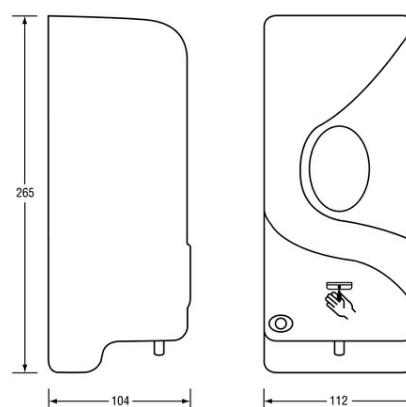


## ML\_950DA\_WHT

Auto Soap Dispenser - ABS

### Specification

Material	White ABS Body
Mounting	Surface Mount Concealed Fix
Features	Provides one drop per cycle (1~1.5mL)
	Auto Operation: Infrared Sensor Operated/Powered by three C Batteries (not included) provides approx 100,000 drops/one year usage
	Light Indication: Solid Blue for Dispensing and Flashing Blue for Low Battery
	Liquid Level Indicator
	Lockable (key provided)
Capacity	950mL Removable Reservoir
Consumable Advice	A Commercial Grade Liquid Soap with a Viscosity range of 1-3000cps (centipoises) and a PH level between 6.50 – 9.00 should be used in this dispenser to ensure the dispenser performs at an optimal level. <i>* Any liquids not within these ranges may cause the unit to operate at a sub-optimal level, fail or damage the unit and could void the Metlam Australia product warranty.</i>
Note	* This unit is accessible compliant when installed in accordance with AS1428.1. guidelines.
Related Videos	<a href="#">Looking after your Metlam Australia Auto Soap Dispenser</a>



### Downloads & Resources

- Care & Maintenance
- Installation instructions
- Mounting template
- Auto cad
- Revit
- Google sketch up

The photographs and line drawings of the products presented above are representational only. Metlam Australia Pty.Ltd reserves the right to, and from time to time, make changes and improvements in design and dimensions.