

ML_1800_WHT Automatic Hand Dryer

Material Specifications

- 3.0mm White High-Grade Fire-Retardant ABS

Dimensions

- 268mmW x 220mmH x 170mmD

Mounting

- Unit can be hard wired by electrician or used with cord and plug provided.

Installation Guidelines

- Make sure that the power supply breaker is switched off before installation. Installation must be carried out in accordance with the current edition of the local wiring regulations code and must be performed by a qualified electrician.*

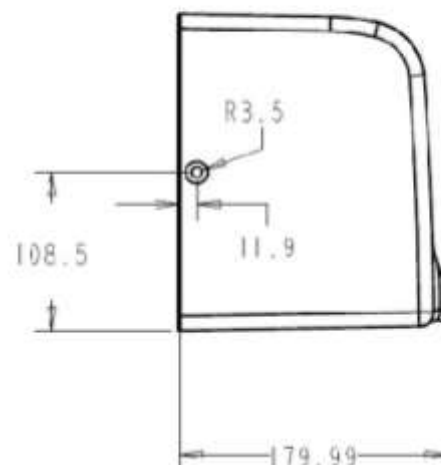
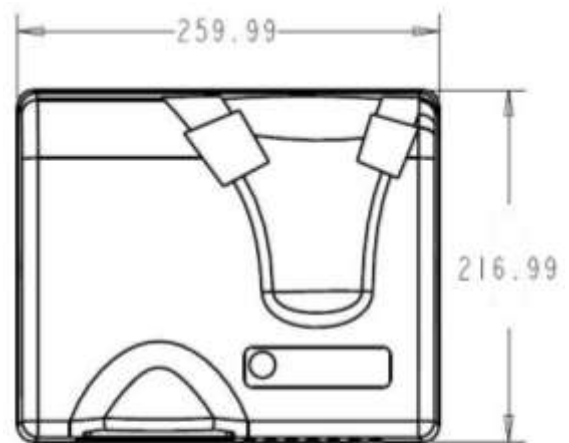
- Place mounting template provided against the wall at the desired height (see mounting height recommendation) and mark the 4 mounting hole locations.
- Remove the housing from the base plate; fix the base plate firmly on the wall.
- Connect the wires and attach the housing back to the base plate to finish the installation. Do not overtighten the screws.

Operation

- Automatic operation
- Shake excess water from hands. Place hands under the outlet to start operation.
- Rub hands lightly and rapidly. Dryer will stop automatically after hands are removed.

Features

- Brushless Motor
- Drying Time: 30 – 35 seconds



The photographs and line drawings of the products presented above are representational only. Metlam Australia Pty Ltd reserves the right to, and from time to time, make changes and improvements in design and dimensions.

Mounting Height Recommendation

* From bottom edge of dyer above finished floor *

Men	50"	(1270mm)
Women	47"	(1194mm)
Children 4-7 years	35"	(889mm)
Children 8-10 years	39"	(991mm)
Children 11-13 years	43"	(1092mm)
Children 14-16 years	47"	(1194mm)

Accessible Compliant: Where provided, hand dryers shall be installed with the height of their operative component or outlet not less than 900mm and not more than 1100mm above the plane of the finished floor, and no closer than 500mm from an internal corner. The Hand Dryer must be mounted outside of any exclusions zone as they shall not protrude more than 150mm into the circulation space. Refer AS1428.1-2009, Clause 15.2.8 and Figure 43.

The technical recommendations contained in this document are necessarily of a general nature and should not be relied on for specific applications without first securing competent advice. Whilst Metlam Australia Pty Ltd has taken all reasonable steps to ensure the information contained herein is accurate and current, it does not warrant the accuracy or completeness of the information and does not accept liability for errors or omissions. Any Commercial product should only be installed by a competent tradesperson and serviced/maintained by knowledgeable janitorial staff or competent people. Metlam Australia accepts no responsibility for any damage to product, walls or fixtures due to incorrect installation or maintenance of any of their products.