

ML730 Paper Towel Dispenser

Note

This product is to be installed by suitably qualified persons, in a fit-for-purpose application, to suitable materials, using suitable fixings, and complying with any relevant codes.

Dimensions

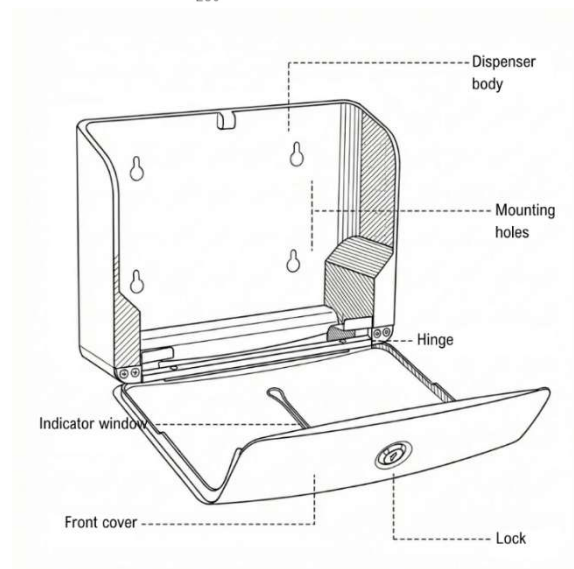
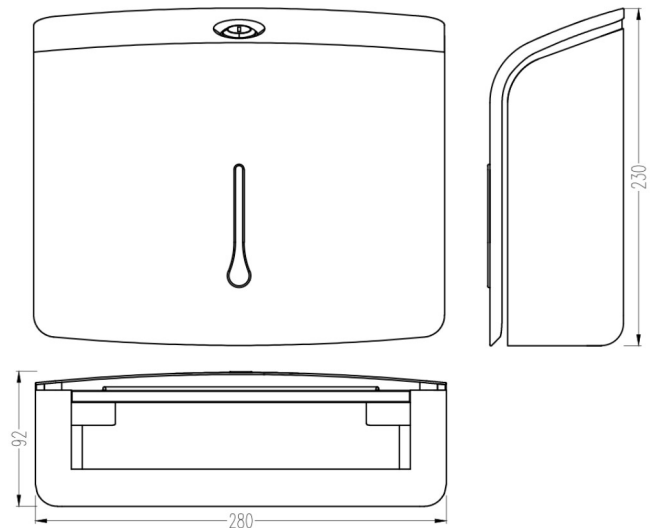
230mmH x 280mmW X 92mmD

Hardware Provided

- 4x Screws
- 4x Wall Plugs
- 2x Keys (Spare keys can be ordered using the part number ML630_730_KEY)

Before Installation

- Inspect the product. If there is any damage or missing parts, do not install the product and contact your place of purchase.
- Ensure the surface you wish to mount the dispenser to is flat.
- Check that there will be adequate clearance for the dispenser to be opened once installed. (It is hinged at the bottom and opens outwards/downwards.)



This product is accessible compliant when installed in accordance with AS 1428.1 guidelines.

The photographs and line drawings of the products presented above are representational only. Metlam Australia Pty Ltd reserves the right to, and from time to time, make changes and improvements to design and dimensions.

Installation Instructions

Placement may be subject to regulations/codes and architectural drawings. Correct positioning is the responsibility of the installer.

1. Place the dispenser against the wall at the desired height and mark the locations of the four mounting holes.
2. Install four suitable fasteners into the wall at the marked locations and mount the dispenser. If using the supplied screws/plugs, drill the holes 40mm deep.
3. Test dispenser for correct operation.
4. Retain the keys for the end user.

Note Regarding Accessible Compliance:

"Where provided, ... towel dispensers ... shall be operable by one hand, and shall be installed with the height of their operative component or outlet not less than 900 mm and not more than 1100 mm above the plane of the finished floor, and no closer than 500 mm from an internal corner."

- AS 1428.1:2021 clause 12.4.3

Technical recommendations and installation advice from Metlam Australia Pty Ltd are general in nature and provided in good faith without warranty. Metlam disclaims all liability for errors, omissions, or damage resulting from improper installation or maintenance. All products must be installed by qualified tradespeople and maintained by competent personnel. It is the installer's responsibility to conduct thorough pre-installation assessments; Metlam Australia will not enter into post-installation disputes regarding positioning, functionality, or external factors affecting performance.

The photographs and line drawings of the products presented above are representational only.
Metlam Australia Pty Ltd reserves the right to, and from time to time, make changes and improvements to design and dimensions.