

PAPER TOWEL / COMBINATION UNITS



ML725SS_MK2

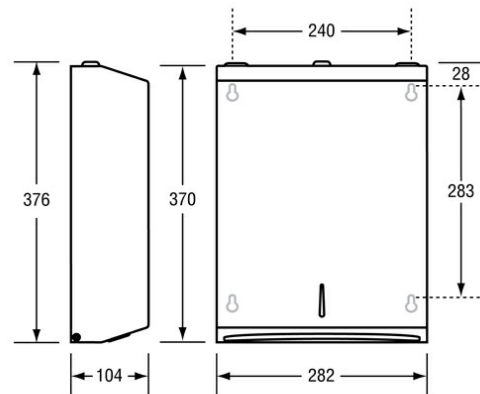
Paper Towel Dispenser - Stainless Steel

Specification

Material	#304 Stainless Steel
Finish	Satin Stainless Steel
Mounting	Surface Mount Concealed Fix
Dimensions	376mmH x 282mmW x 104mmD
Dispenser/Options	450 C-fold paper towels 600 slimline folded paper towels
Features	Unit fitted with tumbler lock Front View Paper Indicator
Note	Unit is supplied with 2 keys * This unit is accessible compliant when installed in accordance with AS1428.1. guidelines.
Related Video	Stainless Steel Cleaning & Maintenance
Consumable Advice	Interfold or Interleaved paper towel, overall storage dimensions 270mm W x 80mm D

Downloads & Resources

Care & Maintenance
 Installation instructions
 Auto cad
 Archi cad
 Revit
 Google sketch up



The photographs and line drawings of the products presented above are representational only. Metlam Australia Pty Ltd reserves the right to, and from time to time, make changes and improvements in design and dimensions.