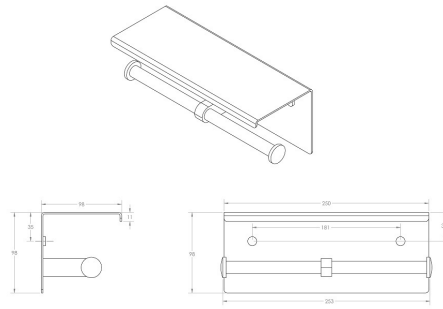


ML269_TRH_SS

Double Toilet Roll Holder with Shelf Top in Satin Stainless Steel

Dimensions: 98mmH x 253mmW x 98mmD



SPECIFICATION

Material	#304 Grade Stainless Steel 1.5mm Thick Shelf
Finish	Satin Stainless Steel
Mounting	Surface Mount Visible Fix
Features	Multifunctional Unit with Shelf Top Upper can Hold a Mobile Phone or Bag whilst Lower Holder is for the Toilet Paper Roll Seamless Welds and Rolled Edges
Capacity	Holds Two Standard Toilet Rolls

NOTES

- For Metlam Australia Care and Maintenance Guidelines, Installation Instructions, Product Specifications, and Warranty Details, please refer to the Product User Guide Tab.



This unit is accessible compliant when installed in accordance with AS1428.1 guidelines.



For more in depth information, visit the product online:
https://metlam.com.au/category/toilet-roll-dispensers/ML269_TRH_SS