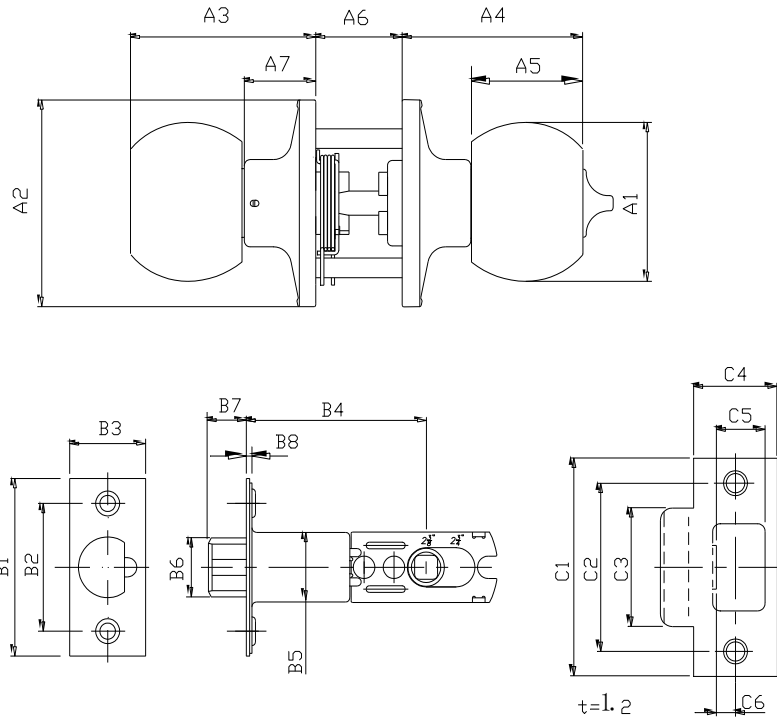




**SS9000 Dimension Drawing**



SCALE: 1/2

<b>NO.</b>	A1	A2	A3	A4	A5	A6	A7		B1	B2	B3	B4
<b>DIMENSION UNIT : MM</b>	51	66.5	61.5	61.5	39	35~45	25		57	41	25.4	60or70
<b>NO.</b>	B5	B6	B7	B8		C1	C2	C3	C4	C5	C6	
<b>DIMENSION UNIT : MM</b>	ø21.8	ø19	12.5	2		70	54	38	28	16.3	6.4	

DRAWING NUMBER: T3600-SA7B10