



ASSA ABLOY

LEVER & KNOB LOCKSET

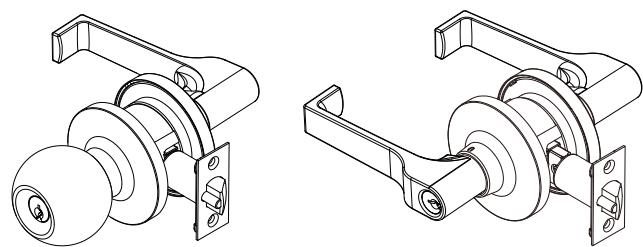
INSTALLATION INSTRUCTIONS FOR ENTRANCE, PRIVACY, PASSAGE, STOREROOM, CLASSROOM & GLASS DOOR LOCKSETS
FOR USE ON DOORS 35mm TO 45mm THICK

DOOR CLEARANCE NOTE:

To ensure correct functioning of this lockset, the clearance between the door and the frame should be at least 3mm.

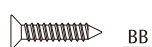
USE AND CARE GUIDE

1



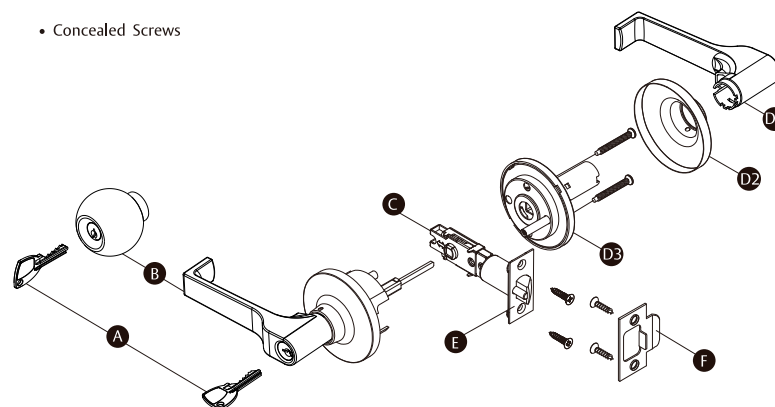
Part	Description	Quantity
AA	Mounting Screws	2
BB	Latch/Strike Plate Screws	4

Note: Not to scale.



Part	Description	Quantity
A	Key	2
B	Exterior assembly	1
C	Latch	1
D	Interior assembly	1
D1	Lever	1
D2	Rose	1
D3	Mounting plate	1
E	Faceplate	1
F	Strike Plate	1

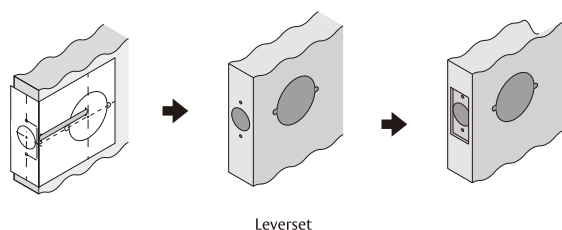
• Concealed Screws



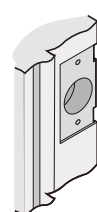
2

DOOR PREPARATION

• Using the template, mark the door and drill the holes, and chisel out a mortise.



• Prepare the door jamb – using the strike plate as a pattern, drill the latch and screw holes, and chisel out a mortise until the strike plate fits flush

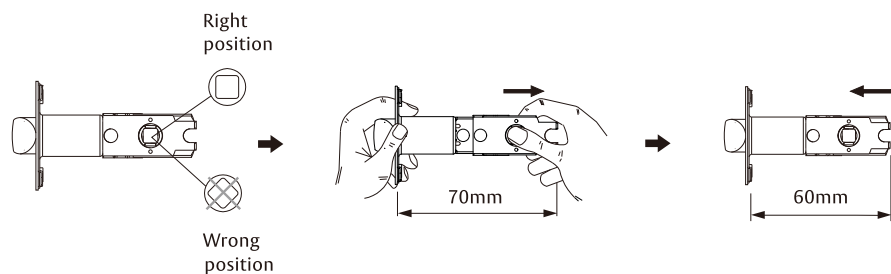


NOTE: To assure proper lockset function, the hole in the door jamb must be drilled 13 mm deep.

3

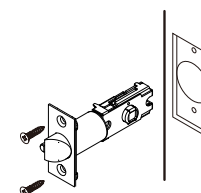
INSTALLATION

• Set the latch backset



CAUTION: Be sure the latch cam is upright before making any backset adjustment.

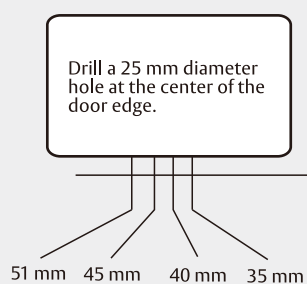
• Install the latch



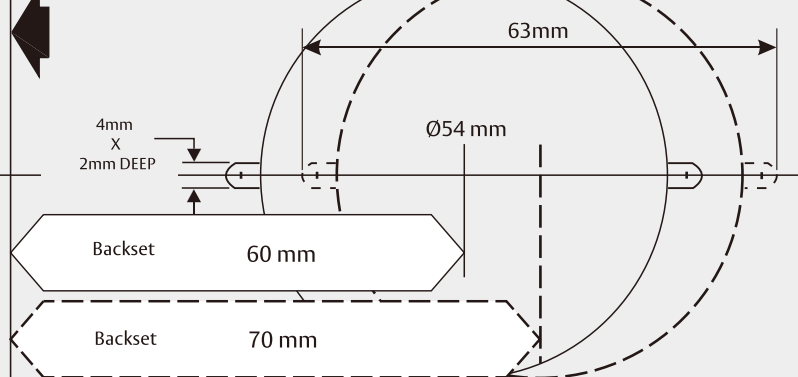
NOTE: The bevel should face the door jamb.

TEMPLATE

NOTE: Double check your product for the correct hole sizes.



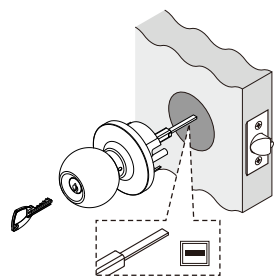
Fold here. Place on the door edge.



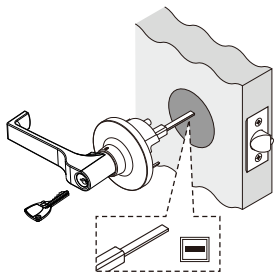
4

INSTALLING THE LEVER/KNOB

• Exterior

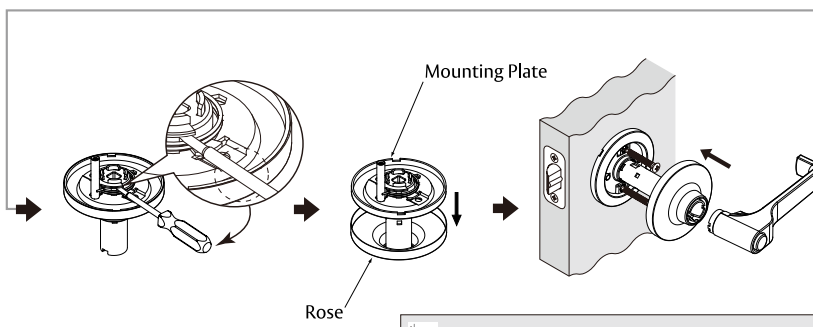
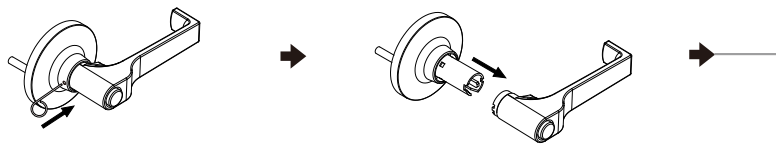


OR



• Concealed Screws

• Remove the interior lever

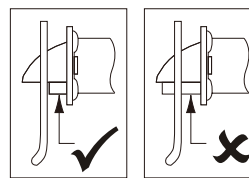
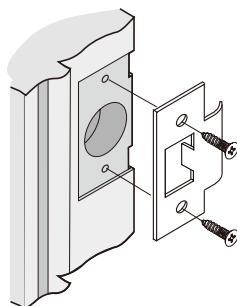


NOTE:
The screwdriver is positioned between the mounting plate and the rose as shown to remove the rose.

5

INSTALLING THE STRIKE PLATE

NOTE:
If required, bend the adjustable tang on the strike to eliminate a loose fit between the door and the door stop.



Security Pin

NOTE: Ensure the lip faces away from the door.