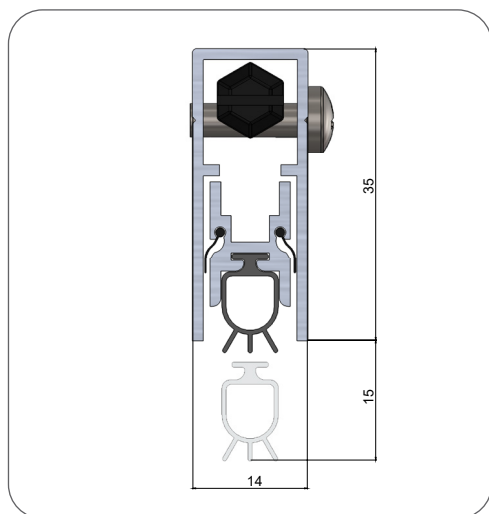


Fitting Instructions: Automatic Door Bottom Seal



Description of contents

■	1 x IS8011si seal
■	Bag containing – 2 x end caps – fixing screws – fixing screws ferrules – 1 x striker button
■	Fitting instructions

Tools required for installation

■	Tape measure
■	Saw (power or hand)
■	Screw driver
■	2.5mm and 4mm drill bit
■	Drill (power or hand)
■	Knife
■	Pencil or marker
■	Router and cutting router bit (only for semi-mortised installation)

Cut back sizes

Do not cut the seal shorter than the lengths indicated below or this will affect the normal operation of the internal mechanism

■	380mm cuts to 275mm
■	600mm cuts to 380mm
■	820mm cuts to 600mm
■	920mm cuts to 820mm
■	1070mm cuts to 920mm
■	1220mm cuts to 1070mm

Installation detail: Face fixed installation

-
- Step 1** Remove the seal from the packaging.
-
- Step 2** Warning: check maximum cutback lengths on the table provided. Measure the distance between the door stops. Pull back the gasket from the opposite end to the actuator button and using a power saw/hacksaw, cut the aluminium sections to the measured length, less 6mm for end caps and clearance. Remove cutting swarf. Push gasket back into position and cut to length with a sharp knife.
-
- Step 3** Fit the end cap to the actuator button end and position the seal at the bottom face of the door on the stop side of the door, button end tight up to the door stop and allowing a maximum 15mm gap (minimum 3mm) between the door bottom and the sill. Ensure the actuator button is on the hinge side.
-
- Step 4** Screw fix using screws and ferrules provided. Fit other end cap.
-
- Step 5** For timber frames, position the striker button on the stop where the actuator button meets the door frame.
-
- Step 6** Open and close the door observing the operation of the seal. Adjust accordingly by pulling out the actuator button clear of the housing. Firmly holding the threaded rod, turn the actuator button clockwise to reduce movement and anticlockwise to increase the seal movement.
Note: For optimum results the seal should be adjusted so that the seals silicone gasket touches the sill in the final closing moment of the door.
-

Semi-mortised installation

-
- Step 1** Remove the door from its hinges and cut a 35mm deep x 14mm wide rebate into the bottom of the door (on the side of the door the seal is to be positioned) and re-hang the door.
-
- Step 2** Measure the door width. Cut the seal to the door width, using the same principles as per the face fixed installation details.
-

We recommend IS8011si automatic door bottom seal be used together with a Kilargo Integrity™ 7000 series perimeter seal and, if required a 4000 series threshold plate.

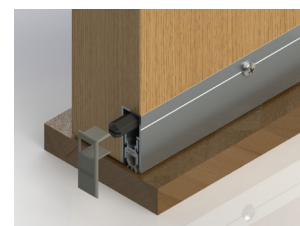
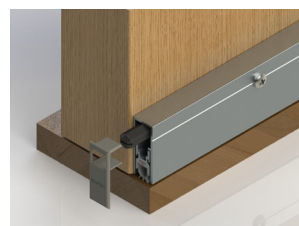
Note

Recommendations as to methods for use of materials and construction details are based on the experience and knowledge of Kilargo and are given in good faith as a general guide and service to designers, contractors and manufacturers.

Kilargo reserves the right to make alterations or delete any installation detail without prior notice.

Important

Ensure that the installation of this product does not impede the opening or closing of the door. It is recommended to check the adjustment of the door seal periodically to ensure the door assembly to which it is fitted, closes and latches properly.



Face-fixed installation

Semi-mortised installation