

#### DYNAMIC SHOWER SHELF DY0941-I2 300MM

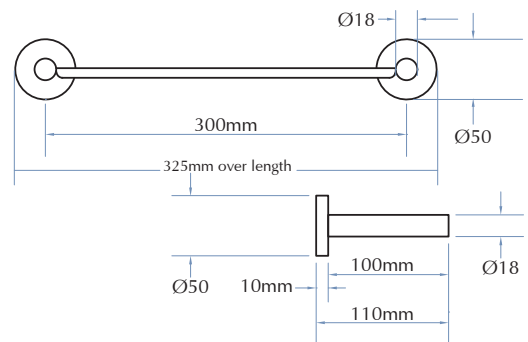
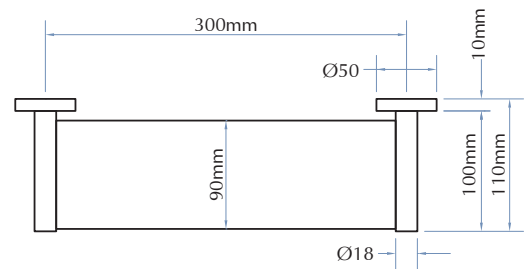
DY0941-I2



#### PRODUCT FEATURES:

- Satin finish stainless steel with two post assembly
- Surface mounted

Overall Dimensions  
300mm W centres x 110mm projection



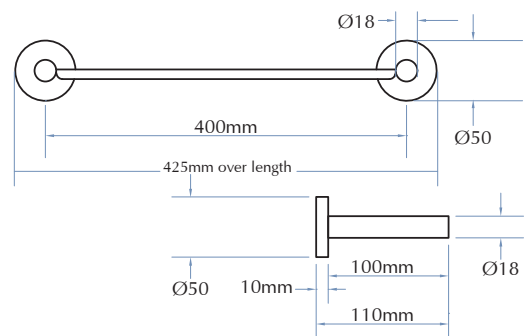
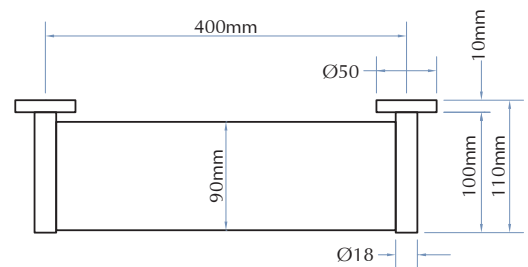
#### DYNAMIC SHOWER SHELF DY0941-I6 400MM



#### PRODUCT FEATURES:

- Satin finish stainless steel with two post assembly
- Surface mounted

Overall Dimensions  
400mm W centres x 110mm projection



DY0941-I6

#### PRODUCT DATA:

#### CONSTRUCTION:

Fabricated of satin finish stainless steel with 18mm diameter posts.

#### INSTALLATION:

Secure to wall with mounting screws (included) at holes provided.

#### GUIDE SPECIFICATION:

Shower shelf shall be fabricated of satin finish stainless steel with concealed mounting flanges in sizes and configurations as indicated.