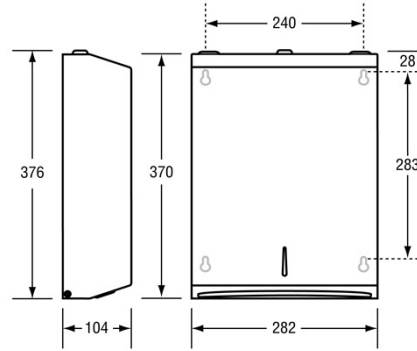
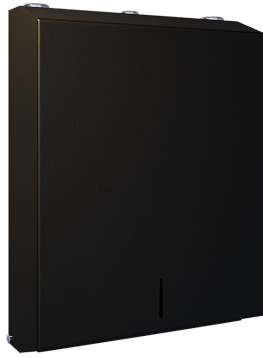


## ML725 DESIGNER

Paper Towel Dispenser in Designer Black

**Dimensions:** 376mmH x 282mmW x 104mmD



### SPECIFICATION

|                             |   |
|-----------------------------|---|
| Material                    | #304 Grade Stainless Steel  |
| Finish                      | Designer Black  |
| Mounting                    | Surface Mount Concealed Fix   |
| Features                    | Unit Fitted with Tumbler Lock<br>Front View Paper Indicator<br>Unit is Supplied with 2 Keys |
| Consumable Advice           | Requires standard size commercial slim paper towel  |
| Metlam Australia Consumable | Slim Paper Towel: <a href="#">ML_PT_SLIM</a>  |

### NOTES

- For Metlam Australia Care and Maintenance Guidelines, Installation Instructions, Product Specifications, and Warranty Details, please refer to the Product User Guide tab.

 This unit is accessible compliant when installed in accordance with AS1428.1 guidelines.

 For more in depth information, visit the product online:  
[https://metlam.com.au/category/Designer-Black/ML725\\_DESIGNER](https://metlam.com.au/category/Designer-Black/ML725_DESIGNER)