

6600 Series

Square end plate furniture

Features

- A true rectangular plate displaying clean modern lines with bevelled edges
- Manufactured using hygienic and corrosion resistant 316 solid stainless steel
- A characteristic feature of stainless steel door furniture is the naturally gleaming finish
- Concealed fixed external plates with visible fixed internal plates connected with bolt through fixings
- Extensive range of optional plate functions
- Designed with bolt through the door fixing for use with the dormakaba MS2602 series mortice locks and latches
- Heavy duty spring mechanism manufactured using the highest grade materials
- Nylon bush preventing metal to metal wear and providing a smoother friction free movement
- All turn snibs and privacy snibs on plate are supplied with a heavy duty star spindle for positive turn actuation and furthermore provides for true installation alignment
- Compatible with all Coastal and Urban lever designs
- Standard screws in 5/32 thread to suit door thickness of 32mm-50mm thick doors

* **Note:** Not all levers are non handed, Lever designs 85, 85T and 114 are handed due to their design.

Fire rating

The 6600 series plate furniture is fire rated and complies with AS1905.1-2005 Part 1

Disabled compliance

Disabled turn's on plates 6607, 6648, 6617, 6658 and 6657 feature a user friendly finger grip of non entrapment design. Designed with the assistance of access consultants.

Functions

See functions chart for all available functions.

Finish

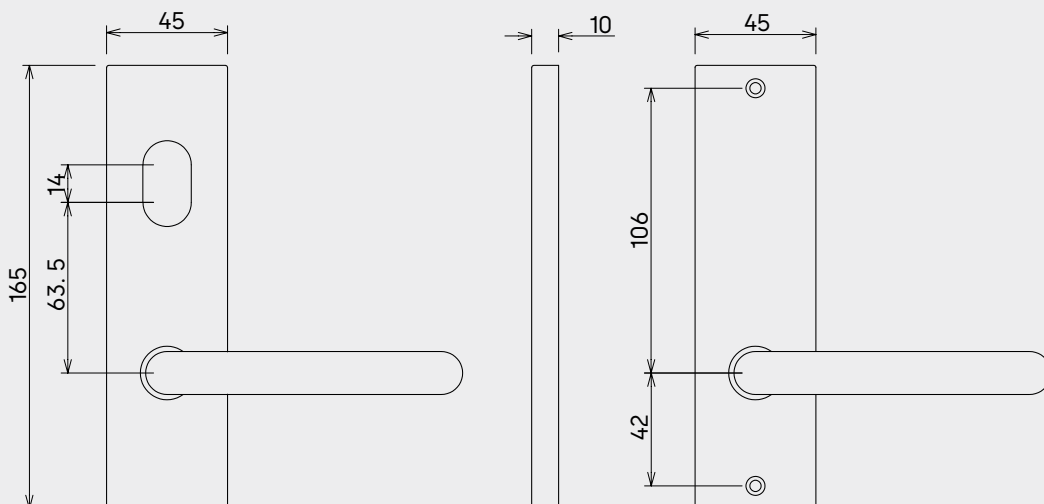
Satin Stainless Steel	SSS
Polished Stainless Steel	PSS
Black PVD	BLK

Note: other finishes available on request

Spare parts

SP6000-001	Standard screws to suit 32mm-45mm thick doors per 2
SP6000-002	Extended screws to suit 50mm-90mm thick doors per 2
SP4000-003	Split spindle pack (2 x split spindles & 2 x springs)
SP4000-008	75mm star spindle
SP4000-009	Extended split spindle to suit 100mm doors up to 100mm per 2
SP6000-003	Security TORX head screws (per 2) SSS

Dimensions





01



02



03



04

01

6600-70
External concealed plate with
oval cylinder hole and 70 lever

02

6612
External concealed plate with
standard turn snib and LED

03

6603-70
Internal visible fix plate with
standard turn snib and 70 lever

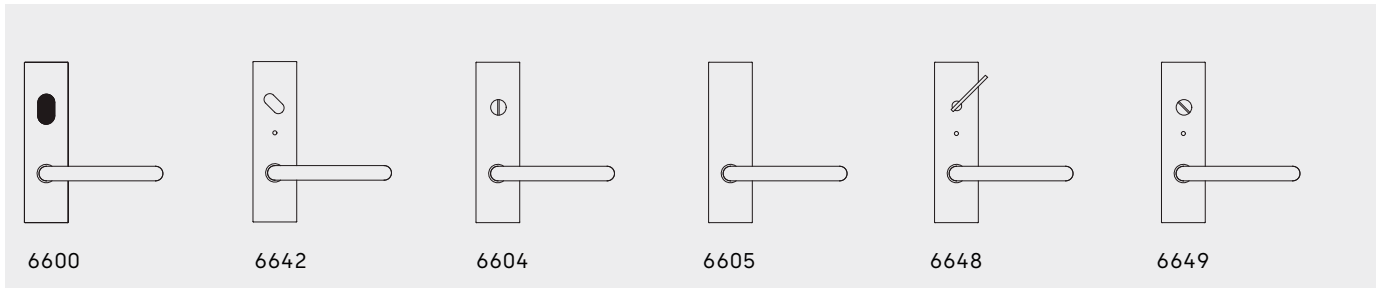
04

6618
Internal visible fix plate with
disabled turn snib

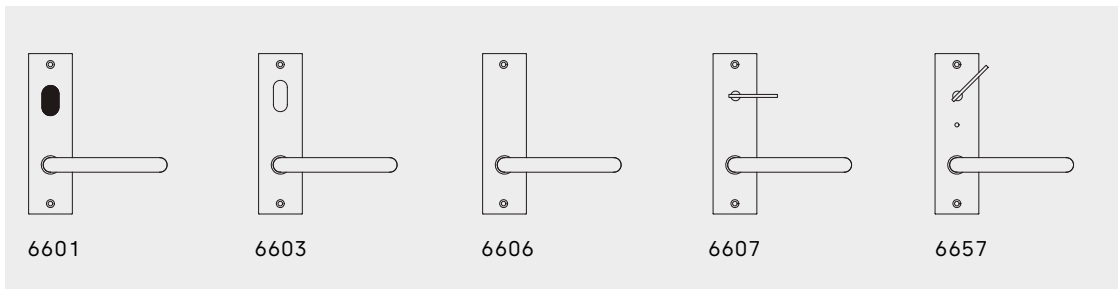
6600 Series

Square end plate furniture range

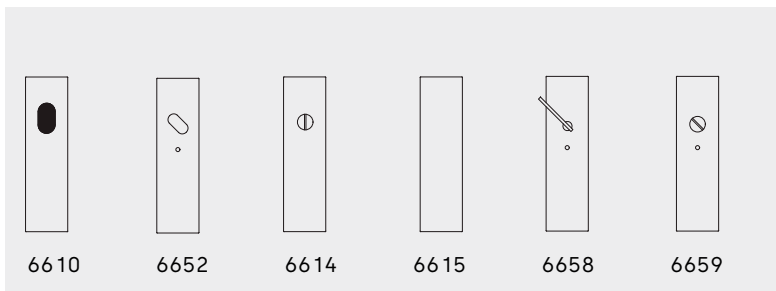
External concealed fix plates with lever



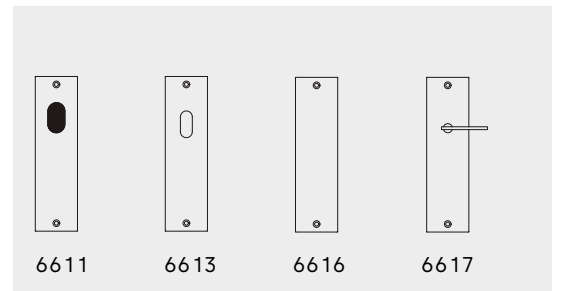
Internal visible fix plates with lever




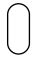



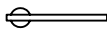
External concealed fix plain plates



Internal visible fix plain plates



Function

					
Oval cylinder hole	Standard turn snib	Privacy button	Fixed lever	LED	Disabled turn snib

Lever options		
Lever style	Lever Style	Lever Style
20 	45 	82T 
21  	45T 	85* 
25 	55 	85T* 
27T 	55T 	90 
32 	60T  	100  
34 	30G 	101 
36 	70T  	105 
37  	75  	110 
39  	75T  	114* 
40 	80 	120 
40T 	80T 	
	81T 	



Note: the following levers marked are AS1428.1 2009 compliant

* **Note:** the 85, 85T and 114 levers are handed due to the lever design.

Plate door furniture

Solid stainless steel

Our offer of solid 316 grade stainless steel door furniture have remained consistently true to our commitment to high quality materials, first class workmanship and outstanding designs combined with easy fixing. dormakaba works closely with architects, designers and our end users to satisfy the sophisticated requirements encountered nowadays in the architectural domain.

Through relationships with architects, designers, end users and installers, the SSS series plate furniture has been developed to meet the highest demands in any project. Furthermore these demands require us to place a strong emphasis on design innovation, product development and material use.

We consistently strive to maintain our position as the design and innovation leader that others follow in all facets of architectural hardware.

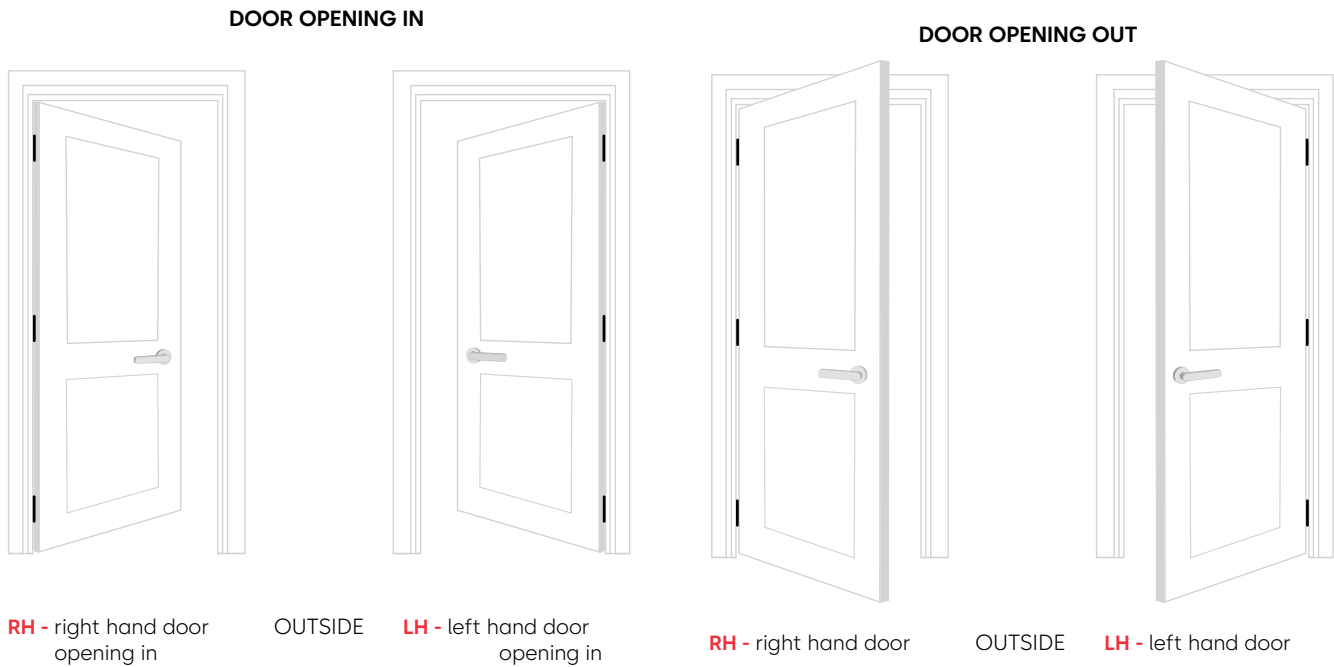
The dormakaba SSS series has an extensive combination of possibilities with co-ordinated lever designs. Moreover the SSS plate designs are characterised by exemplary functional integrity, wear resistance and excellent loadability in any commercial project application.





Choosing the right lever design can make any door stand out, and the dormakaba range of levers offers an aesthetically pleasing choice to complement your building's design.

Door handing chart



The dormakaba 6000 Series features an easy handing adjustment if required, simply remove and refit the handing screw on the back of the plate using a Phillips head screwdriver. This can be done quickly and conveniently on-site.

Note: Our 85, 85T, and 114 levers feature a unique one-sided design. For these models, handing must be specified at the time of ordering to ensure the desired appearance

SSS plate door furniture

Ordering guide

64 00 F / 40

Plate

* 64 = 6400 Narrow square end plate

65 = 6500 Narrow round end plate

* 66 = 6600 Square end plate

67 = 6700 Round end plate

Note: (*) Plate available in BLK - Black PVD

Function

* 00 = external cylinder hole

* 01 = internal cylinder hole

* 03 = internal turnsnib

04 = external emergency release

* 05 = external plain

* 06 = internal plain

07 = internal disabled turnsnib

10 = external cylinder hole - no lever

11 = internal cylinder hole - no lever

13 = internal turnsnib - no lever

14 = external emergency release - no lever

15 = external plain - no lever

16 = internal plain - no lever

17 = internal disabled turnsnib - no lever

42 = external turnsnib and indicator - handed

48 = external disabled turnsnib and indicator - handed

49 = external emergency release and indicator - handed

52 = external turnsnib and indicator - no lever handed

57 = internal disabled turnsnib and indicator - handed

58 = external disabled turnsnib and indicator - no lever handed

59 = external emergency release and indicator - no lever handed

Note: (*) Function is available in BLK - Black PVD

Plate Options

F = Fixed lever

LED = LED option

SSS

Finish

SSS = Satin Stainless Steel

PSS = Polished Stainless Steel

BLK = Black PVD

Note: Black PVD available in 70 lever only

Handle Type

20 = 20 Lever handle

 21 = 21 Lever handle


25 = 25 Lever handle

27T = 27 Tubular Lever handle

32 = 32 Lever handle

34 = 34 Lever handle

36 = 36 Lever handle

 37 = 37 Lever handle

 39 = 39 Lever handle

40 = 40 Lever handle

40T = 40 Tubular Lever handle

45 = 45 Lever handle

45T = 45 Tubular Lever handle

55 = 55 Lever handle

55T = 55 Tubular Lever handle

 60T = 60 Tubular Lever handle

 70 = 70 Lever handle

 70T = 70 Tubular Lever handle

 75 = 75 Lever handle

 75T = 75 Tubular Lever handle

80 = 80 Lever handle

80T = 80 Tubular Lever handle

81T = 81 Lever handle

82T = 82 Lever handle

85 = 85 Lever handle

85T = 85 Tubular Lever handle

90 = 90 Lever handle

100 = 100 Lever handle

 101 = 01 Lever handle

105 = 105 Lever handle

110 = 110 Lever handle

114R= 114R Lever handle

114L= 114L Lever handle

120 = 120 Lever handle



Note: indicates Disabled Access.

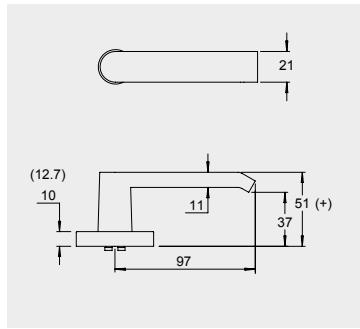
Note: (*) Function is available in BLK - Black PVD

Lever options

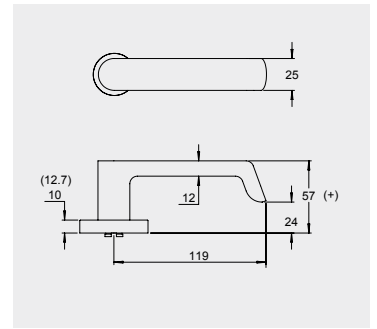
Note: 6400 Series & 6500 Series narrow plate (12.7mm plate depth)

(+) = +2.7mm to suit plate depth

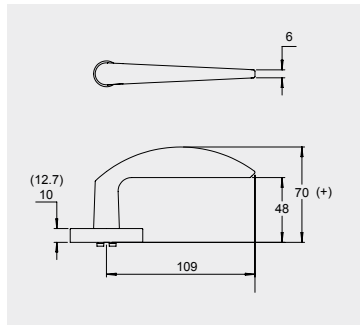
20



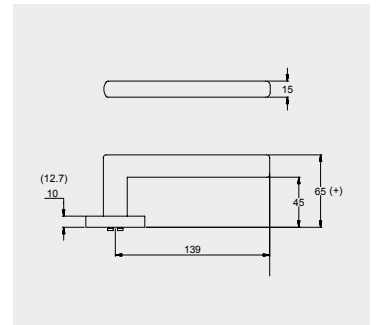
21



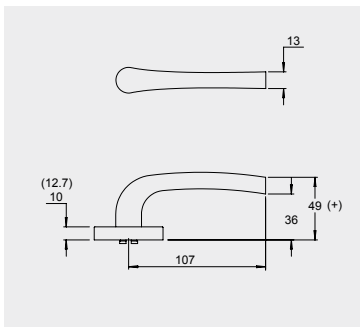
25



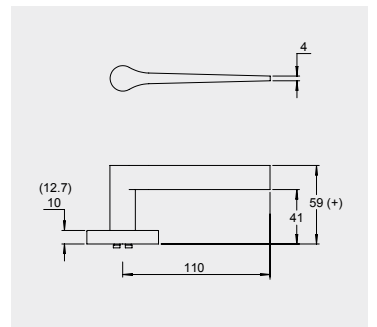
27T



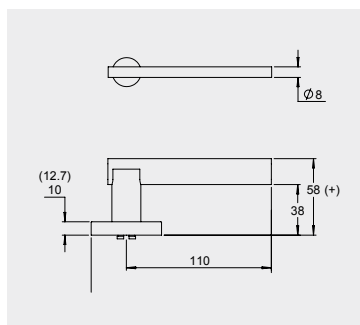
32



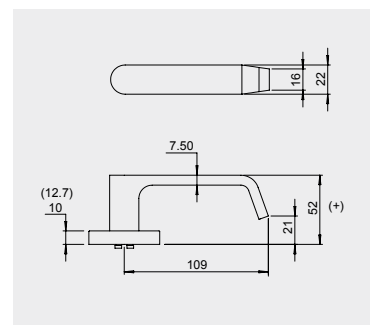
34



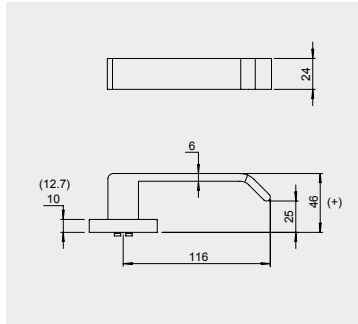
36



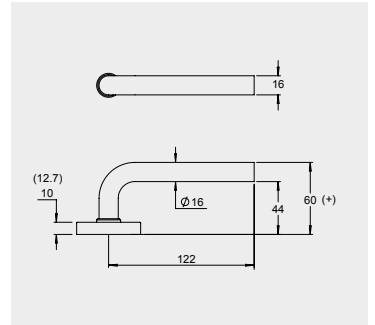
37



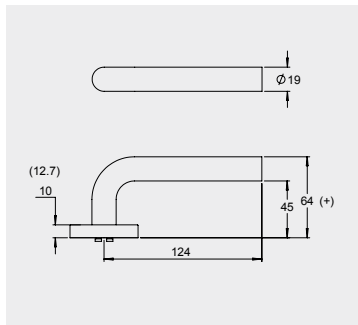
39



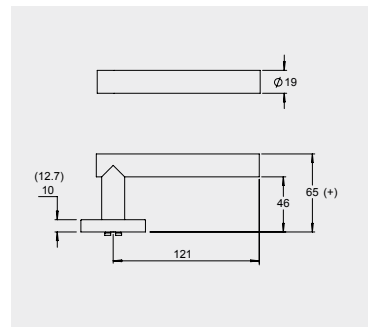
40 & 40T



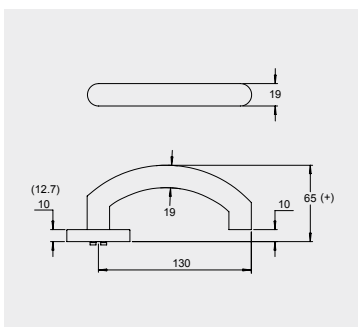
45 & 45T



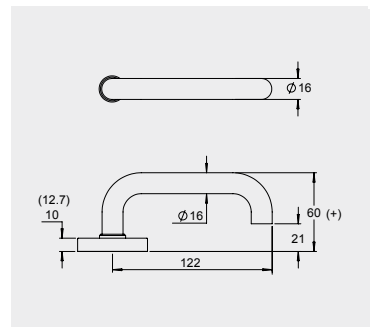
55



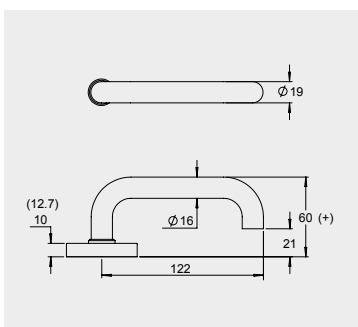
60T



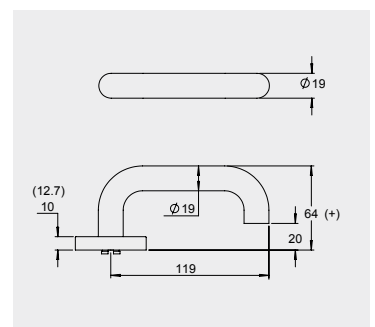
70



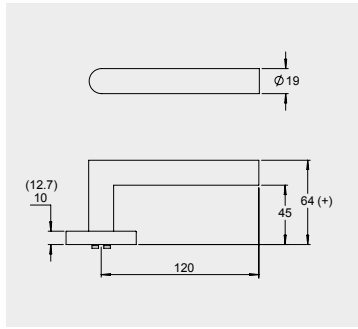
70T



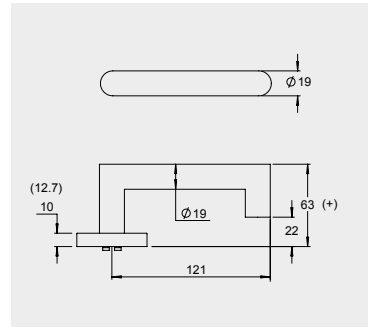
75 & 75T



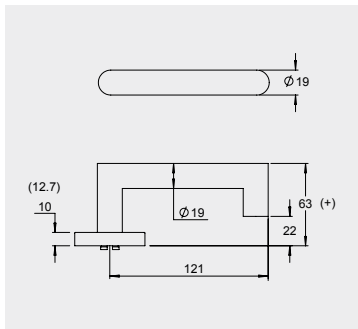
80 & 80T



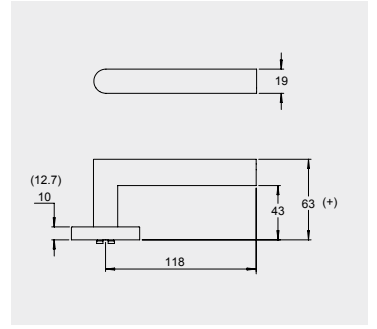
81T



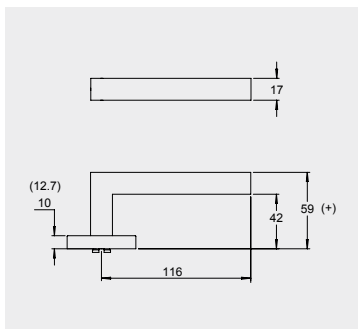
82T



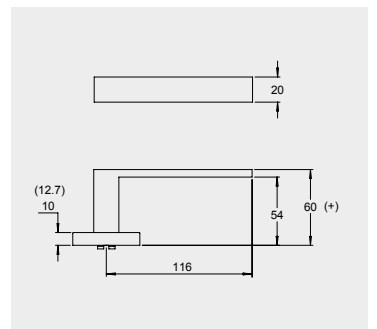
85 & 85T



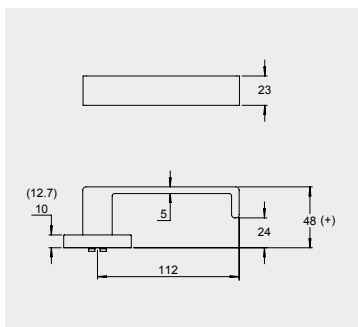
90



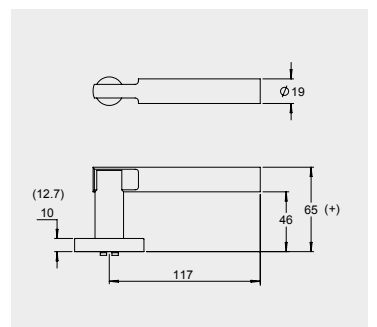
100



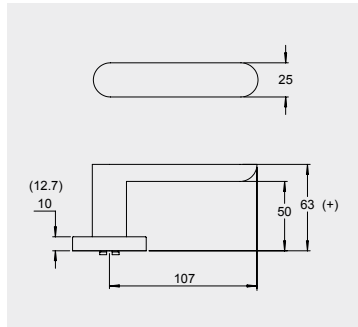
101



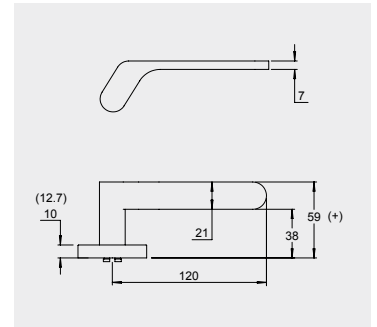
105



110



114



120

