



FEATURES

Surface Mounted Vertical Baby Station with Full Stainless Steel includes a concealed pneumatic gas spring mechanism for smooth and safe opening and closing. The hygienic, non-absorbent child safety strap features a lockable two step cam-buckle providing effortless size adjustment with one hand. The ABS changing surface is easy to clean and resists odours and bacterial growth. Safety information and universal instruction graphics are illustrated on easy to read labels. Ideal for use in unsupervised, low maintenance facilities such as parks and rest areas that may be subject to vandalism. Stainless steel frame and hinges provide maximum durability. Protruding corners protected with plastic covers for maximized changer bed safety. Edges of the stainless steel unit are protected with a continuous PVC extrusion.

INSTALLATION DETAILS

To surface mount, a finishing collar that seats behind the changers outside flange must be incorporated. Simple to install with step-by-step instructions supplied.

SPECIFICATION

Unit supports a static load up to 68kg when properly installed in accordance with the Installation and Operating Instructions supplied with the unit.

MATERIAL

Full body shall be 304 grade, 16 gauge stainless steel with a brushed finish and seamless welds. Insulated ABS replaceable changing surface that is smooth and concave.

OPTIONS

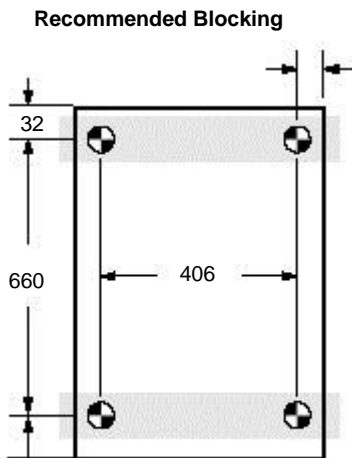
- Recessed unit available. (Model No. BCV-SS-R).
- Stainless steel liner dispenser, install recessed into wall separately. (Model No. SSLD-R).
- Replacement belt assembly (Part No. B003).
- Replacement tray/bed (Part No. F045-Mold).

WARRANTY, PRODUCT LIABILITY & VANDALISM PROTECTION

ASI JD MacDonald Baby Change Stations are guaranteed against defective materials and faulty workmanship for 5 years from date of purchase, subject to being installed and maintained in accordance with the Installation and Operating Instructions supplied with the unit.

A \$10 million product liability insurance policy is maintained on all baby change stations.

Surface Mounted Baby Change Station Full Stainless Steel Vertical shall be Model No. BCV-SS-SM as supplied by ASI JD MacDonald.



CAD DRAWINGS

