

ANTIMICROBIAL PRODUCTS



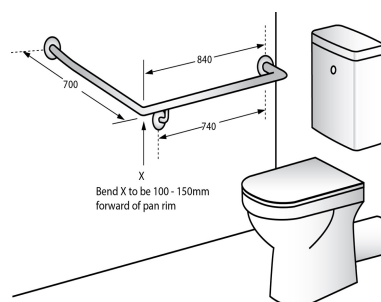
ANMB_MLR102_X

Antimicrobial 30° Flush Mount Side Wall Grab Rail RH

Specification

Material	#304 Stainless Steel - 32mmØ
Finish	Antimicrobial Coating
Mounting	Concealed Fix - 78mmØ Mount
	Stand off 55mm

* This unit is accessible compliant when installed in accordance with AS1428.1. guidelines.



Downloads & Resources

Care & Maintenance
Installation instructions

The photographs and line drawings of the products presented above are representational only. Metlam Australia Pty Ltd reserves the right to, and from time to time, make changes and improvements in design and dimensions.