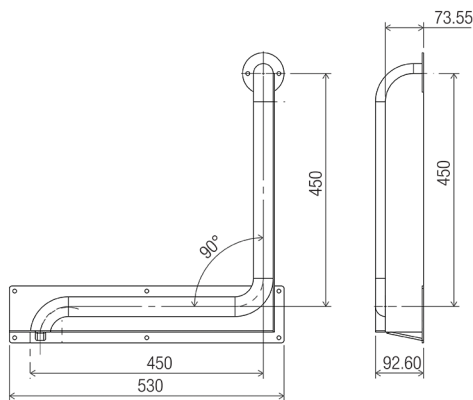


PRODUCT INFORMATION

DIMENSIONS



INDICATIVE IMAGE



Drawn LH (Left Hand)

ANTI-LIGATURE GRAB RAIL

Product Code - Finish

- AL 454 SS LH - Satin Supreme™

Features

- For use in WC's and other accessible areas in psychiatric clinics, hospitals and detention facilities
- Mitigates the possibility of self-harm by patients
- Unique open end trough design makes cleaning easy
- Fabricated from 38 mm 304 stainless steel
- Exposed fixings
- Tamperproof hex socket POST TORX screws supplied
- LH (Left Hand) model
- Satin Supreme™ finish

Compliance

- Complies with Section 13 of AS 1428.1:2021 for Ambulant accessible sanitary compartment
- Complies with Section 14 of AS 1428.1:2021 for Grab Rails



Disclaimer

The anti-ligature design characteristics of this product are not intended to replace or substitute the need for necessary supervision of those who may be at risk, or for other necessary protective measures to be taken in the specific circumstances of usage. Whilst all reasonable care has been taken in the design and manufacturing of our anti-ligature product(s), Con-Serv makes no representations or warranties that any of its products are completely free from ligature attachment. Con-Serv will not be liable for any claims, loss, or damages arising from ligature attachment on any of Con-Serv's products. It is solely the responsibility of the customer to ensure that any Con-Serv products purchased and installed are suitable for the environments and usage for which they are installed. Full disclaimer available www.con-serv.com.au/disclaimer

Warranty

See Con-Serv warranty policy for full details.

CON-SERV CORPORATION AUSTRALIA PTY. LTD.

17 Glentanna Street, Kedron · Qld. 4031 Australia

Phone: +61 (0)7 3630 5744 · Fax: +61 (0)7 3630 5755 · Email: mail@con-serv.com.au · www.con-serv.com.au