

SURFACE MOUNTED CAM

MODEL 995



MOP AND BROOM CAM 995

- Ribbed for rigidity with serrated rubber cap
- Chrome plated

Overall Dimensions
65mm W x 32mm H x 30mm D

CONSTRUCTION:

HOLDERS: Consist of spring activated rubber cams on plated steel retainers.

OPERATION:

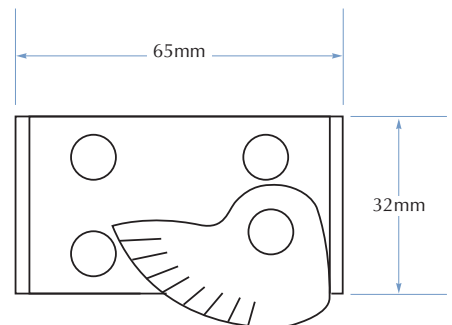
Weight of mop or broom holds handle in place.

INSTALLATION:

Secure to wall with mounting screws (included) at holes provided.

GUIDE SPECIFICATION:

Surface mounted mop and broom cam shall consist of spring activated rubber cam on plated steel retainer.



Projection from wall = 30mm

TOLL FREE 1300 364 561

The manufacturer reserves the right to make changes in design and material without formal notice and without incurring obligation.

Bradley
AUSTRALIA.COM