

## SURFACE MOUNTED HAT AND COAT HOOK

# MODEL 9134

Options:

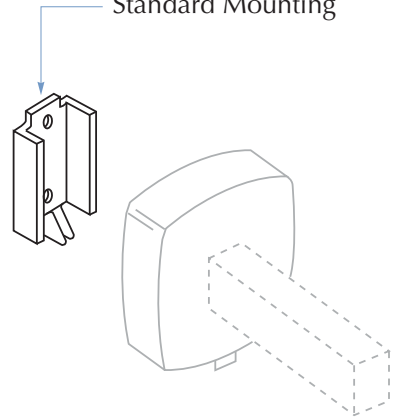
9135 Polished Stainless Steel



### HOOK 9134

- Satin finish stainless steel
- Vandal resistant escutcheons
- Surface mounted
- Projects 65mm  
Escutcheons: 50mm x 50mm

### Standard Mounting



### CONSTRUCTION:

**UNITS:** Fabricated of type 304 stainless steel with exposed surfaces in architectural satin finish.

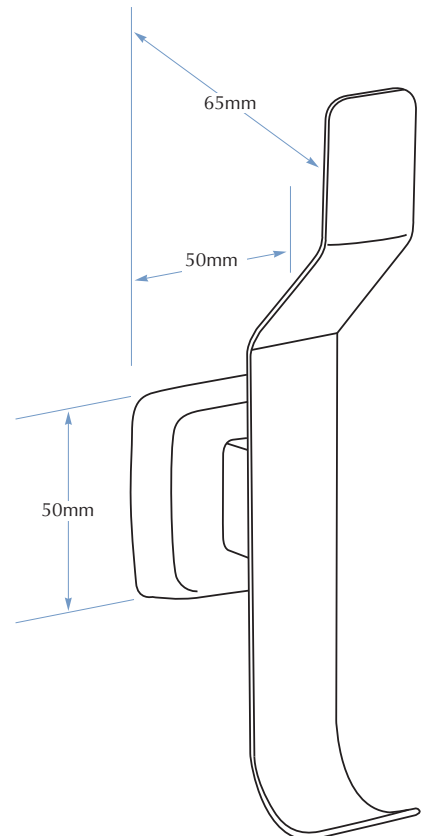
**ESCUTCHEONS:** Are 50mm W x 50mm H, where applicable, unless otherwise indicated.

### INSTALLATION:

Secure mounting bracket to wall with screws (included) at holes provided. With escutcheon set screw on the bottom, align top end of escutcheon interior to top of wall bracket. Pivot escutcheon plate(s) down into position and tighten concealed set screw to lock unit in place.

### GUIDE SPECIFICATION:

Surface mounted hat and coat hook shall be fabricated of type 304 stainless steel with exposed surfaces in architectural satin finish.



TOLL FREE 1300 364 561

The manufacturer reserves the right to make changes in design and material without formal notice and without incurring obligation.

**Bradley**  
AUSTRALIA.COM