

SURFACE MOUNTED TOWEL RAIL

MODEL 9065

Options:

9065-18 - 450mm

9065-24 - 600mm

9065-30 - 750mm



TOWEL RAIL 9065

- Satin finish stainless steel
- Vandal resistant escutcheons
- Model 9066 Polished stainless steel

Overall Dimensions

Escutcheons: 50mm x 50mm
Towel Bar: 20mm diameter
projects 77mm

CONSTRUCTION:

UNITS: Fabricated of type 304 stainless steel with exposed surfaces in architectural satin finish.

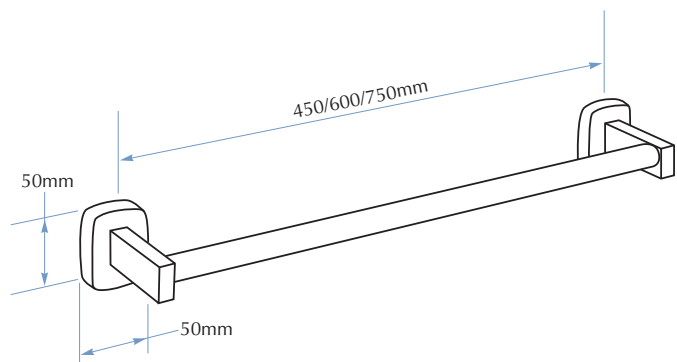
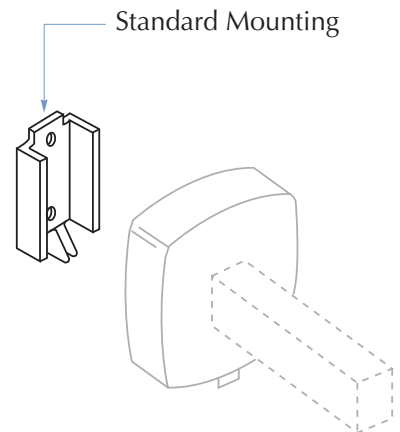
ESCUTCHEONS: Are 50mm W x 50mm H, where applicable, unless otherwise indicated.

INSTALLATION:

Secure mounting bracket to wall with screws (included) at holes provided. With escutcheon set screw on the bottom, align top end of escutcheon interior to top of wall bracket. Pivot escutcheon plate(s) down into position and tighten concealed set screw to lock unit in place.

GUIDE SPECIFICATION:

Surface mounted towel rail shall be fabricated of type 304 stainless steel with exposed surfaces in architectural satin finish.



TOLL FREE 1300 364 561

The manufacturer reserves the right to make changes in design and material without formal notice and without incurring obligation.

Bradley
AUSTRALIA.COM