

**PRODUCT FEATURES:**

- Satin finish stainless steel
- Surface mounted
- Complies to AS 1428.1
- Elegant commercial wet valet
ideal for all accessible applications
- Rounded corners

Overall Dimensions
350mm W x 30mm H x 120mm D

PRODUCT DATA:**CONSTRUCTION:**

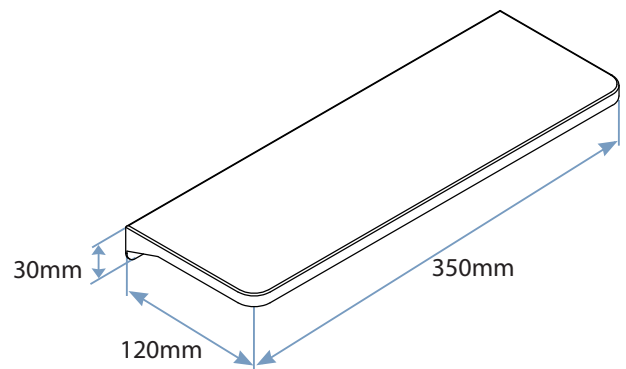
SHELF: Fabricated of type 304 (18-8), 18 gauge stainless steel with exposed surfaces in architectural satin finish and seamless curved edges and complies to AS 1428.1 The shelf has 4 screw holes along the back lip.

INSTALLATION:

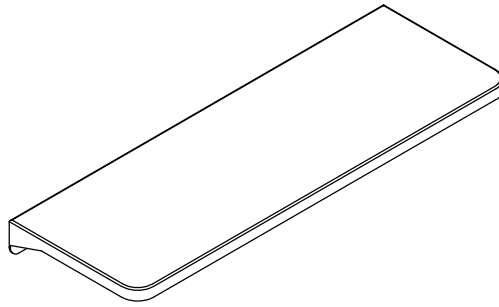
Shelf secures to the wall with mounting screws (included) at holes provided.

GUIDE SPECIFICATION:

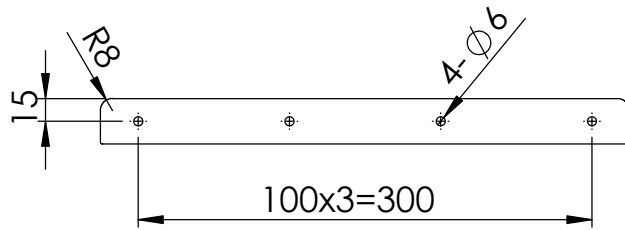
Surface mounted accessible vanity shelf shall be fabricated of type 304 (18-8), 18 gauge stainless steel with exposed surfaces in architectural satin finish and mounted on the wall using holes provided along the back lip. With overall dimensions of 350mm W x 30mm H x 120mm D.



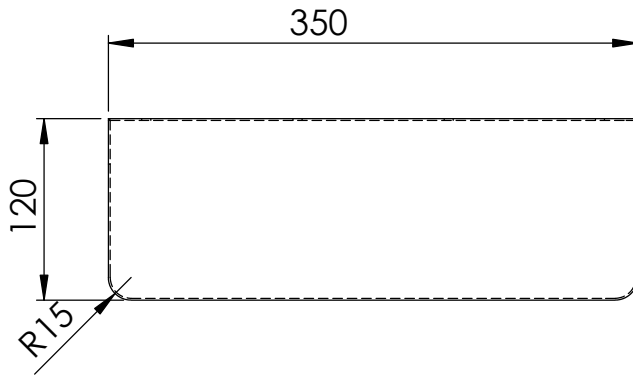
755C-14
ACCESSIBLE VANITY SHELF



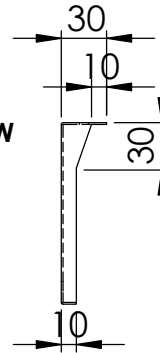
REAR VIEW



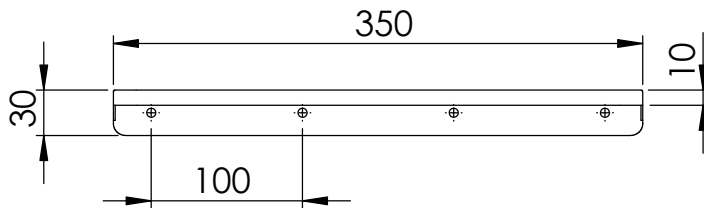
TOP VIEW



SIDE VIEW



FRONT VIEW



Bradley AUSTRALIA customised excellence	
DWG NO.	755C-14
APPROVED BY:	
Proudly customised design please approve	SCALE:1:5