

MODEL 755A

Options:

755A-12 (300mm)	755A-24 (600mm)
755A-16 (400mm)	755A-30 (750mm)
755A-18 (450mm)	755A-32 (800mm)
755A-20 (500mm)	755A-36 (900mm)

Additional

Shelf Depth Options:
Model 756A
Model 758A

www.bradleyaustralia.com

SURFACE MOUNTED SHELF 755A



PRODUCT FEATURES:

- Satin finish stainless steel
- Surface mounted
- With integral brackets

Overall Dimensions
 95mm H x 125mm D - Width to be specified
 Other sizes available on request

PRODUCT DATA:

CONSTRUCTION:

SHELF: Fabricated of type 304 (18-8), 18 gauge stainless steel with exposed surfaces in architectural satin finish. End brackets are integral.

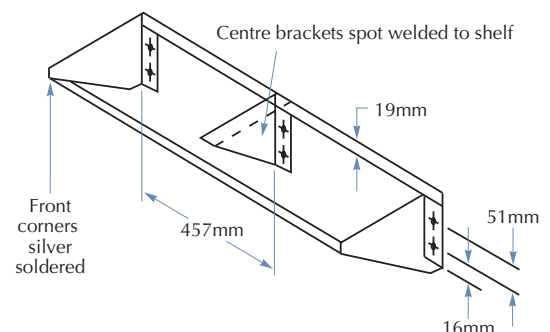
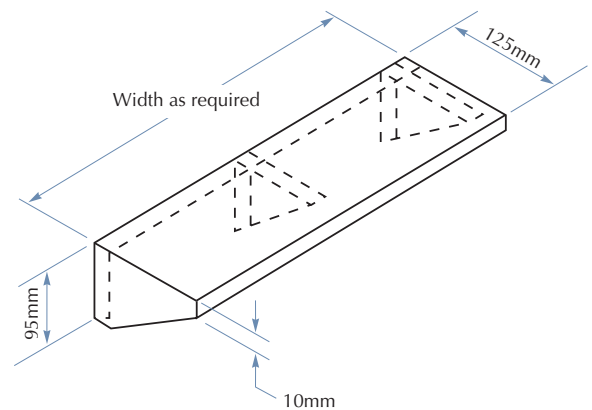
CENTRE BRACKETS: (Shelves over 610mm wide.) Fabricated of type 304 (18-8), 16 gauge stainless steel and welded to shelf.

INSTALLATION:

Secure to wall with mounting screws (included) at holes provided.

GUIDE SPECIFICATION:

Surface-mounted shelf shall be fabricated of type 304 (18-8), 18 gauge stainless steel with exposed surfaces in satin finish and integral end brackets. Shelves over 610mm wide shall have 16 gauge intermediate support brackets of matching stainless steel.



Width	No. of Centre Brackets
152mm to 610mm	0
635mm to 1219mm	1
1245mm to 1829mm	2
1854mm to 2438mm	3
2464mm to 2845mm	4