

## RECESSED MEDICINE CABINET



### MEDICINE CABINET 7176

- Satin finish stainless steel
- Mirror of polished stainless steel (in architectural bright finish)
- 4 adjustable shelves standard (specify number of shelves required if not standard)

Overall Dimensions  
435mm W x 778mm H x 102mm D

### CONSTRUCTION:

**FLANGE:** Fabricated of type 304 (18-8), 22 gauge stainless steel with exposed surfaces in architectural satin finish. One piece seamless construction, 25.4mm wide with 6.5mm return.

**CABINET:** Fabricated of type 304 (18-8), 26 gauge stainless steel. Back of cabinet equipped with razor blade disposal slot.

**DOOR:** Fabricated of type 304 (18-8), 22 gauge stainless steel, with heavy duty full length piano hinge. Equipped with magnetic catches and spring buffered rod stop.

**MIRROR:** Fabricated of type 304 (18-8), stainless steel, polished to No. 8 architectural bright finish. Very bright - excellent reflectivity, very slight polish grain.

**INTERIOR SHELVES:** Four adjustable shelves fabricated of type 304 (18-8), 22 gauge stainless steel.

### OPERATION:

Door closes with magnetic catch.

### INSTALLATION:

Recessed unit requires Rough Wall Opening 397mm W x 740mm H x 102mm D. Top of wall opening 1854mm above finished floor. Secure to framing with mounting screws (included) at holes provided. Shim at screw points as required.

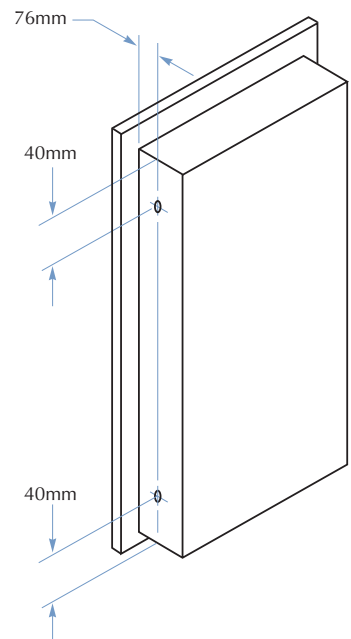
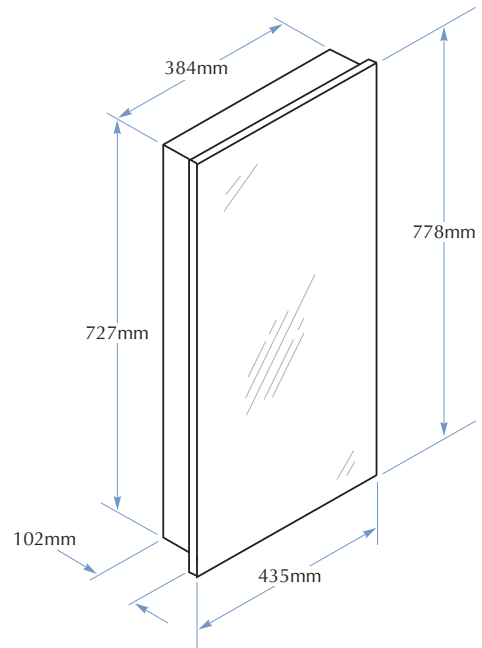
### GUIDE SPECIFICATION:

Recessed medicine cabinet consisting of mirror and storage cabinet with four adjustable shelves shall be fabricated of type 304 (18-8) stainless steel with exposed surfaces in satin finish. Architectural bright finish, stainless steel mirror door with full length piano hinge.

## MODEL 7176

Options:

7176-11 Surface Mounted - Projects 112mm



TOLL FREE 1300 364 561

The manufacturer reserves the right to make changes in design and material without formal notice and without incurring obligation.

**Bradley**  
AUSTRALIA.COM