

MORE THAN JUST QUALITY – AN EXPERIENCE™

FUTURA

VECTOR PASSAGE SET

Component: 1 Pair Lever Set &
1x 1131 Heavy Duty Latch



Description:

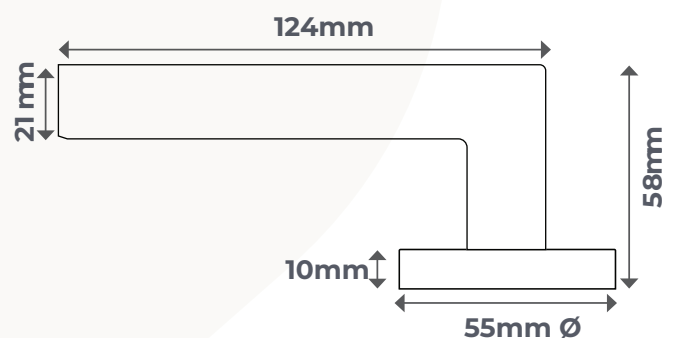
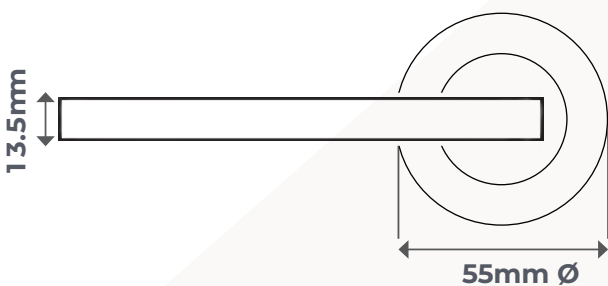
- 15-Year Warranty: Futura Door Furniture is covered for 15 years internally and 10 years externally. If defective, Zanda will replace it for free.
- Ergonomic design for user comfort
- Modern European design
- Ideal for elderly
- Backsets are 60mm. Specify if otherwise.
- Suit domestic and light commercial application
- Suits 25mm hole size

Available Set:

- Lever Set
- Passage Set
- Separate Privacy Set
- Integrated Privacy Set
- Dummy Set
- Entrance Set

Available Finish:

- Brushed Nickel
- Graphite Nickel
- Matt Black



Note: Measurements are in mm

1 300 926 321 

sales@zanda.com.au 

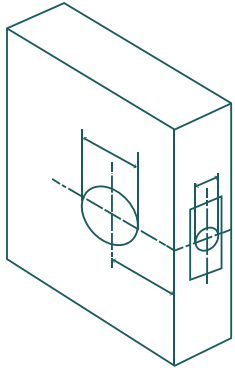
www.zanda.com.au 

MORE THAN JUST QUALITY – AN EXPERIENCE™

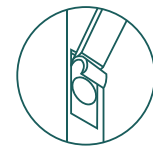
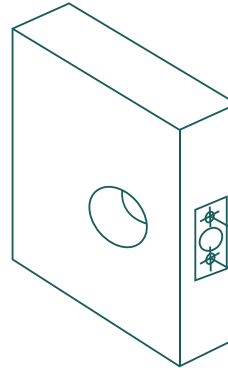
FUTURA VECTOR PASSAGE SET

Component: 1 Pair Lever Set &
1x 1131 Heavy Duty Latch

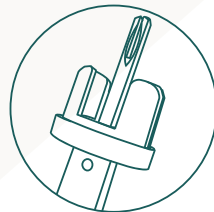
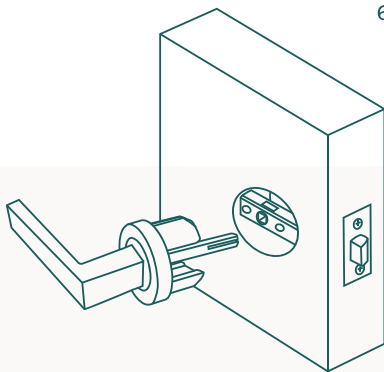
- 1 Measure the thickness and mark the centre at the desired height for the latch.
- 2 Drill a 25mm(1") diameter hole through the door edge to a depth of atleast 90mm. Ensure this hole is square to the door.
- 3 Mark the face of the door each side for drilling a 48mm diameter spindle hole. The centre of the spindle hole will need to be 60mm from the door edge (backset). We recommend using a 48mm hole saw. For clean cutouts, drill from both side, meeting in the middle of the door.



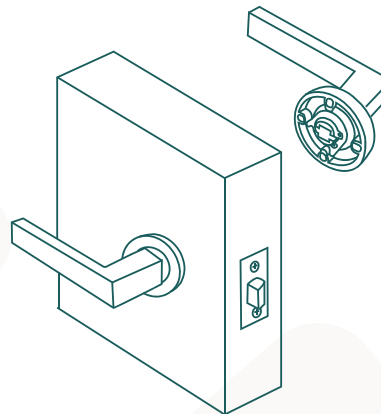
- 4 Insert the latch, scribe around the faceplate, remove, then chisel out the recess to enable the latch faceplate to sit flush the door edge.
- 5 Remove any loose saw dust, insert the latch and secure it with the wood screws provided.



- 6 Insert handle 'A' in the 48mm hole with the spindle and rapidFIT attached and press against the door. Ensure the grooved side of the spindle is aligned with the grub-screws on the handle



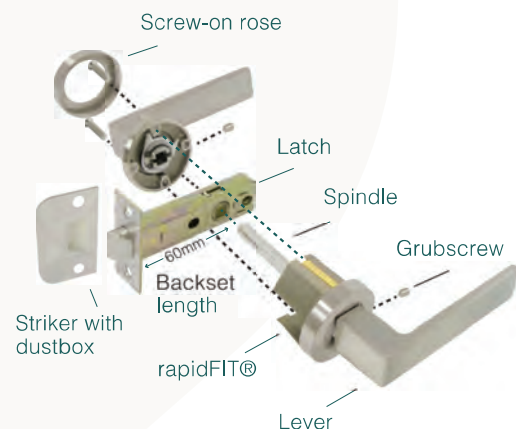
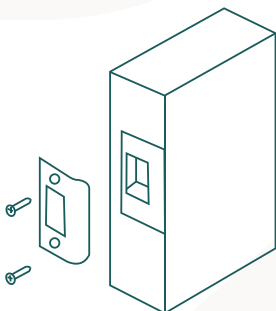
- 7 Insert handle 'B' over the spindle. Ensure the handles are straight before securing through the fixing screws.



- 8 Screw the rose cover onto the handle and tighten the grub screws on the side of the levers onto the spindle for each side of the door.

Note: The grub screws may need a re-tighten after a bedding period. We recommend medium strength thread-lock to bed used.

- 9 Close door against the frame and mark the latch position for fitting of the striker.
- 10 Router or chisel so the striker fits flush, allowing for the plastic dust-box behind the striker.
- 11 Secure the striker with the wood screws provided. Test the door and if necessary, adjust the striker and anti-rattle tab to take up any rattle.



Note: Measurements are in mm

1 300 926 321



sales@zanda.com.au



www.zanda.com.au

