

# Bradley

AUSTRALIA

customised excellence

www.bradleyaustralia.com

## MODEL 6333-OPI

### COUNTER TOP MOUNTED LIQUID SOAP DISPENSER

#### Options:

6333-OP2 - 5 Litre Set Up

#### Additional:

633-TFMK - Top Fill Multi-Feed Kit

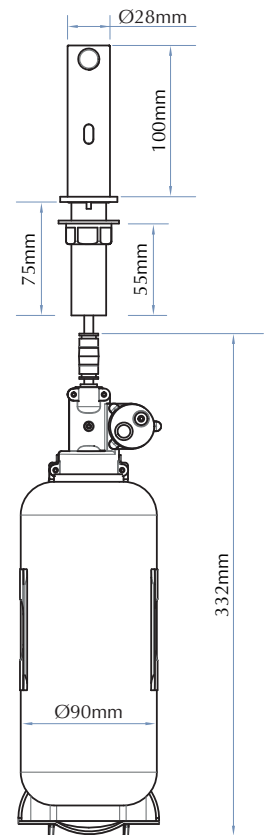


#### PRODUCT FEATURES:

- Sensor activated bulk fill soap dispenser
- Remote control operated (optional)
- Chrome plated body
- Capacity – 1 litre or 5 litre options

#### Overall Dimensions

28mm dia x 104mm H



#### PRODUCT DATA:

##### CONSTRUCTION:

High polished chrome spout and body.

1 litre soap bottle includes bottle support.

Optional for remote installation: extension cable and extended piping.

##### CAPACITY

1 Litre or 5 Litre options

Model 6333 (Liquid): We recommend Bradley model AM6010

Aqua Marine liquid soap for optimum operation and performance.

(AM6010: 1 litre bottle = 1,000 shots/5 litre bottle = 5,000 shots)

When using AM6010 exclusively the 6333 dispenser will carry a lifetime warranty.

##### OPERATION:

Touch free electronic soap dispenser for counter top mounted installations. Activated by infrared sensor and closes automatically when hands removed, without dripping, ensuring a clean environment.

Remote control option for soap quantity selection, soap refill, ability to temporarily disable sensor and restore factory settings. Please see additional warranty for exclusions.

##### INSTALLATION:

Counter top mounted soap dispenser.

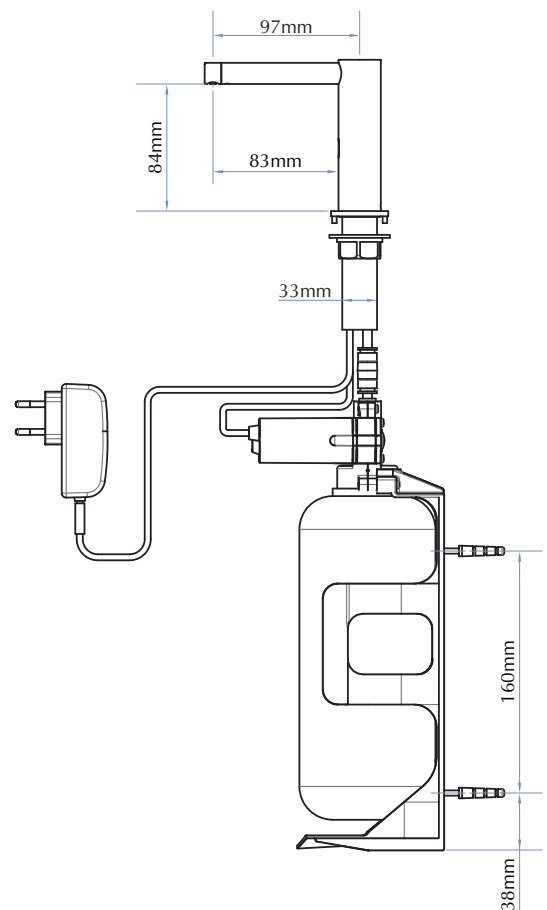
Power source: 12 V transformer

Default soap dosage: 1.4 cc

Soap viscosity: 100-3800 cPs

Prime dispenser prior to use.

300mm clearance required from bench top or basin.



1300 364 561

The manufacturer reserves the right to make changes in design and material without formal notice and without incurring obligation.