

LIQUID SOAP DISPENSER 6326



PRODUCT FEATURES:

- Plastic globe - 1 litre capacity
- Lavatory mounted
- Top filled
- Spout length 152mm
- Spout length options:
6322: 64mm spout
6324: 102mm spout

OPTIONAL 38MM SPACER - MODEL P19053

The spacer lifts the plunger spout 38mm above the counter top to allow additional clearance over the basin if required

PRODUCT DATA:

CONSTRUCTION:

PLUNGER AND SPOUT:	Fabricated of type 304 stainless steel.
ESCUTCHEON:	Manufactured of heavy chrome plated brass.
SHANK:	Manufactured of molded ABS plastic.
VALVE CYLINDER:	Manufactured of molded ABS plastic.
VALVE COMPONENTS:	Manufactured of Clecon, Buna-N rubber or stainless steel.
PLASTIC GLOBE:	Manufactured of translucent polyethylene.

CAPACITY:

1 Litre. For optimum performance of use with a 1 litre bottle, we recommend using Bradley soap PB609. If using a system setup to a 5 litre bottle, we recommend using Bradley AM6010 liquid soap. Soap viscosity (thickness) should be less than 100cps (centerpoise).

OPERATION:

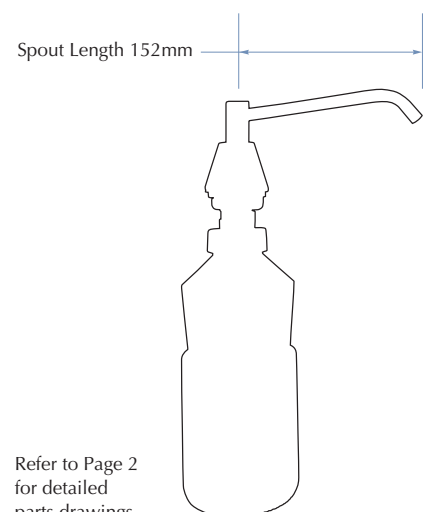
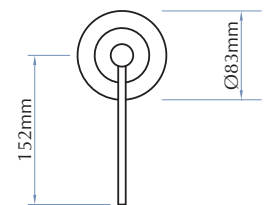
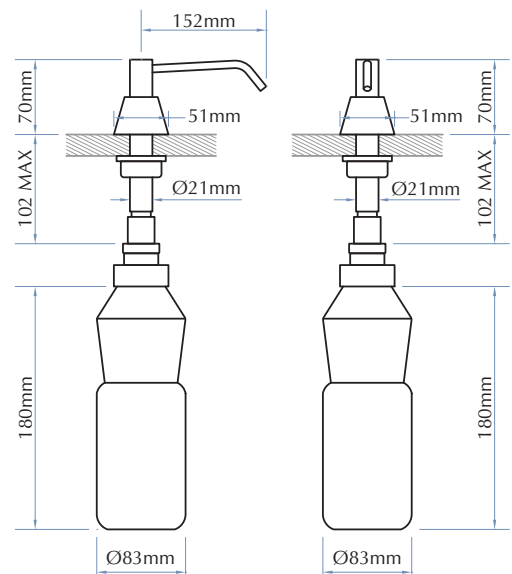
Depress piston for measured amount of liquid soap. Fills from top by unlocking and withdrawing piston and spout assembly using special key provided. The 6326 will work best with Bradley Model PB609 formula liquid soap. Spout is fixed.

INSTALLATION:

Mount dispenser in 25mm diameter hole in lavatory or counter-top. Include dispenser mounting hole location in washroom specifications or mount in unused faucet hole. Shank will accommodate a maximum of 36mm mounting thickness and can be cut in the field.

GUIDE SPECIFICATION:

Lavatory mounted liquid soap dispenser manufactured of type 304 stainless steel, chrome plated brass and molded ABS plastic. Buna-N O-ring seals and duckbills. Valve shall dispense measured amount of Bradley Model PB609 formula liquid soap. Servicing facilitated by use of special wrench.



LIQUID SOAP DISPENSER 6326



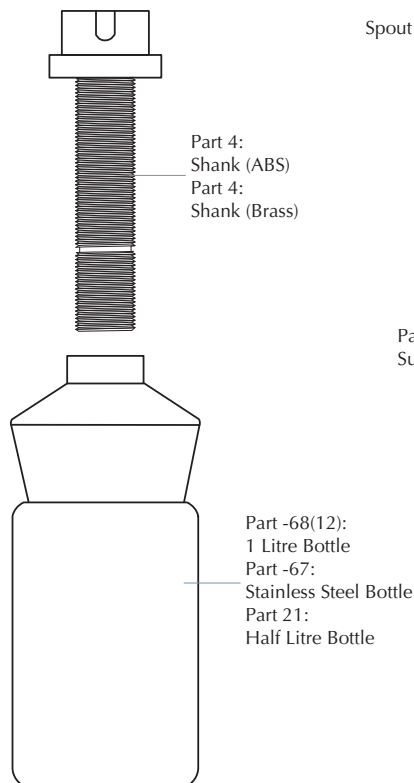
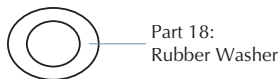
PRODUCT FEATURES:

- Plastic globe - 1 litre capacity
- Lavatory mounted
- Top filled
- Spout length 152mm
- Spout length options:
6322: 64mm spout
6324: 102mm spout

OPTIONAL 38MM SPACER - MODEL P19053

The spacer lifts the plunger spout 38mm above the counter top to allow additional clearance over the basin if required

PARTS BREAKDOWN



- Part 1+2(S): 64mm Spout and Plunger
- Part 1+2(L): 102mm Spout and Plunger
- Part 1+2(E): 152mm Spout and Plunger
- Part 1+2(M): 20mm Spout and Plunger (Wall Mounted)

