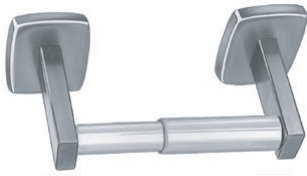


# TECHNICAL DATA SHEET

## TOILET TISSUE DISPENSERS



### MODEL 5084

- Satin finish
- Single roll non-controlled delivery

Overall Dimensions  
197mm W x 51mm H x 92mm D



### MODEL 5234

- Satin finish
- Double roll non-controlled delivery

Overall Dimensions  
330mm W x 51mm H x 98mm D

### CONSTRUCTION:

**POSTS:** Fabricated of type 304 (18-8), 22 gauge stainless steel with exposed surfaces in architectural satin finish.

**ESCUTCHEONS:** Fabricated of type 304 (18-8), heavy gauge stainless steel with exposed surfaces in architectural satin finish.

**MOUNTING BRACKET:** Fabricated of type 304 (18-8), 18 gauge stainless steel.

**SPINDLES:** Fabricated of chrome-plated plastic.

### CAPACITY:

Model 5084 holds one standard core toilet tissue roll.

Model 5234 holds two standard core toilet tissue rolls.

(Bradley Model 4004 x 2 Ply and Bradley Model 4008 x 1 Ply)

### OPERATION:

Concealed spring permits spindles to telescope for servicing.

Spindles turn freely for non-controlled delivery.

### INSTALLATION:

Secure concealed wall mounting brackets to wall with mounting screws (included) at holes provided. Mount projecting arms and escutcheons to bracket and secure with concealed locking screws. Snap escutcheons into place.

### GUIDE SPECIFICATION:

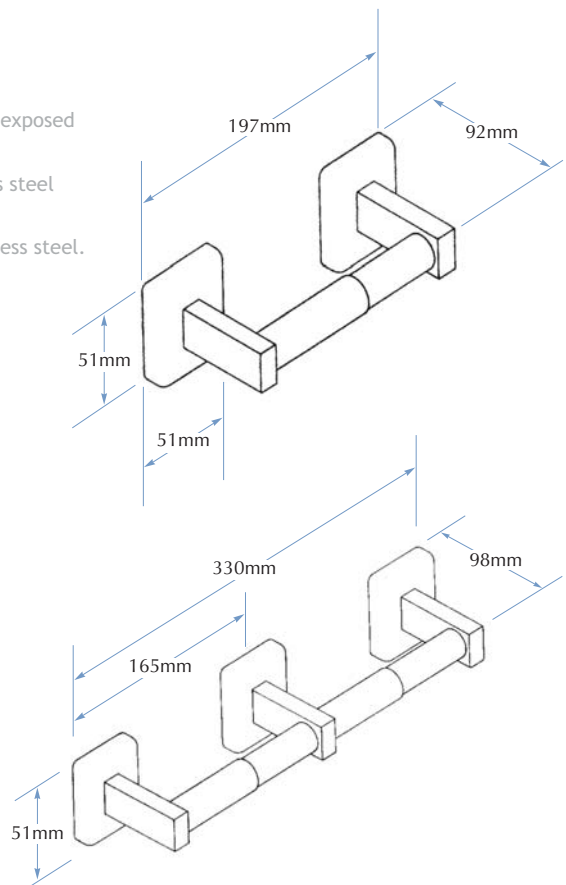
Surface mounted toilet tissue dispensers shall be heavy gauge satin finish stainless steel.

## MODELS 5084/5234

### Options:

5084 Satin Finish Single Toilet Roll Holder

5234 Satin Finish Double Toilet Roll Holder



TOLL FREE 1300 364 561

The manufacturer reserves the right to make changes in design and material without formal notice and without incurring obligation.

**Bradley**  
AUSTRALIA.COM