

# TECHNICAL DATA SHEET

## RECESSED TOILET TISSUE DISPENSERS

## MODELS 5103/5123

Options:

5103 Single Toilet Roll Holder

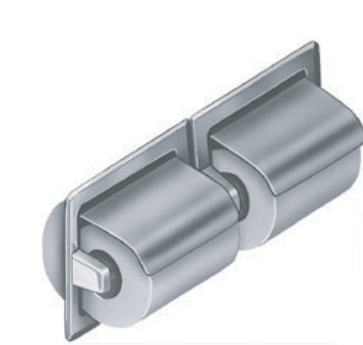
5123 Double Toilet Roll Holder



### MODEL 5103

- Bright polished
- Non-controlled delivery
- Single roll with hinged hood

Overall Dimensions  
160mm W x 160mm H x 48mm D



### MODEL 5123

- Bright polished
- Non-controlled delivery
- Dual roll with hinged hood

Overall Dimensions  
324mm W x 162mm H x 51mm D

### CONSTRUCTION:

**HOUSING AND HOOD:** Fabricated of one piece deep drawn bright polished stainless steel.

**BRACKETS:** Fabricated of chrome plated zinc.

**SPINDLE:** Fabricated of chrome-plated plastic.

### CAPACITY:

Model 5103 holds one standard core toilet tissue roll.

Model 5123 holds two standard core toilet tissue rolls.

(Bradley Model 4004 x 2 Ply and Bradley Model 4008 x 1 Ply)

### OPERATION:

Concealed spring permits spindle to telescope for servicing.

Spindle turns freely for non-controlled delivery. Hinged hood prevents unintentional unravelling while keeping top tissue surface clean.

### INSTALLATION:

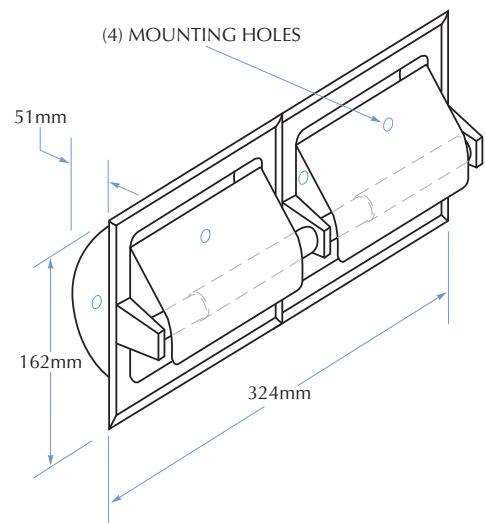
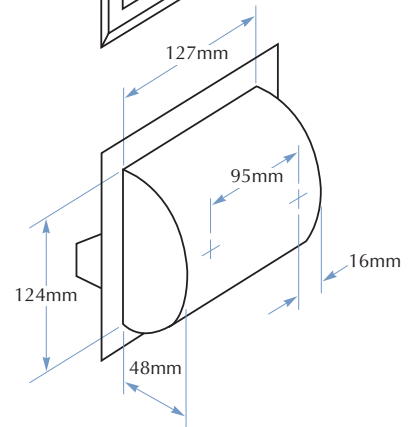
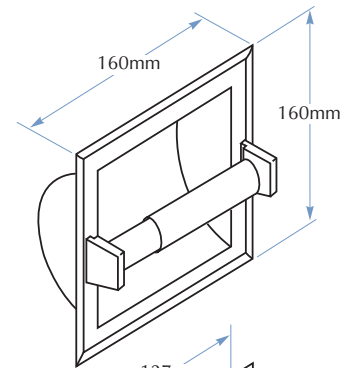
Model 5103 requires rough wall opening 128mm W x 125mm H x 48mm D.

Model 5123 requires rough wall opening 294mm W x 132mm H x 51mm D.

Secure to framing with appropriate anchoring devices at holes provided.

### GUIDE SPECIFICATION:

Recessed toilet tissue dispensers with hinged hood shall be bright polished stainless steel and chrome plated zinc.



TOLL FREE 1300 364 561

The manufacturer reserves the right to make changes in design and material without formal notice and without incurring obligation.

**Bradley**  
AUSTRALIA.COM