

# TECHNICAL DATA SHEET

## SURFACE MOUNTED TOILET TISSUE DISPENSERS



### MODEL 5106

- Bright polished
- Non-controlled delivery single roll with hinged hood

Overall Dimensions  
162mm W x 162mm H x 51mm D



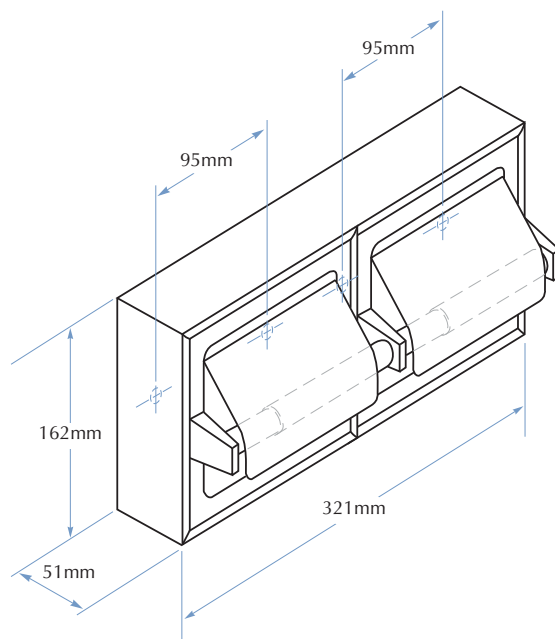
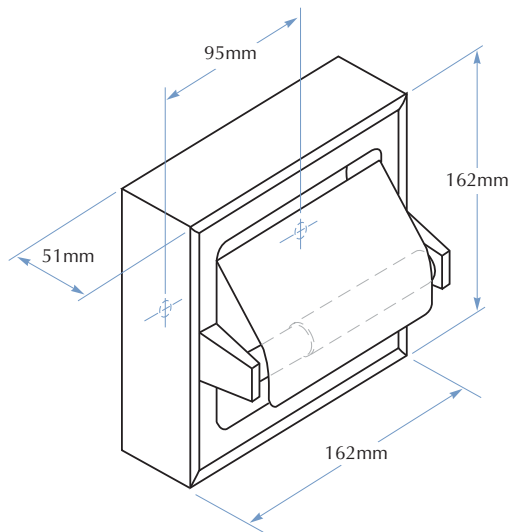
### MODEL 5126

- Bright polished
- Non-controlled delivery dual roll with hinged hood

Overall Dimensions  
321mm W x 162mm H x 51mm D

## MODELS 5106/5126

Options:  
5106 Single Toilet Roll Holder  
5126 Double Toilet Roll Holder  
-52 Anti-Theft Spindle



### CONSTRUCTION:

**HOUSING AND HOOD:** Fabricated of type 304 (18-8) bright polished stainless steel.

**SPINDLE:** Fabricated of chrome-plated plastic.

### CAPACITY:

Model 5106 holds one standard core toilet tissue roll.

Model 5126 holds two standard core toilet tissue rolls.

(Bradley Model 4004 x 2 Ply and Bradley Model 4008 x 1 Ply)

### OPERATION:

Concealed spring permits spindle to telescope for servicing. Spindle turns freely for non-controlled delivery. Hinged hood prevents unintentional unravelling while keeping top tissue surface clean.

### INSTALLATION:

Secure to wall with mounting screws (included) at holes provided.

### GUIDE SPECIFICATION:

Surface mounted roll toilet tissue dispensers with hinged hood shall be type 304 bright polished stainless steel.

**TOLL FREE 1300 364 561**

The manufacturer reserves the right to make changes in design and material without formal notice and without incurring obligation.

**Bradley**  
AUSTRALIA.COM