

## TOILET TISSUE DISPENSERS WITH HOOD

## MODELS 5044/5244

Options:

5044 Single Roll Dispenser

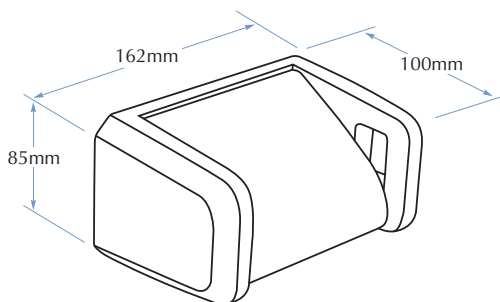
5244 Dual Roll Dispenser



### MODEL 5044

- ABS plastic
- Non-controlled delivery
- Single roll

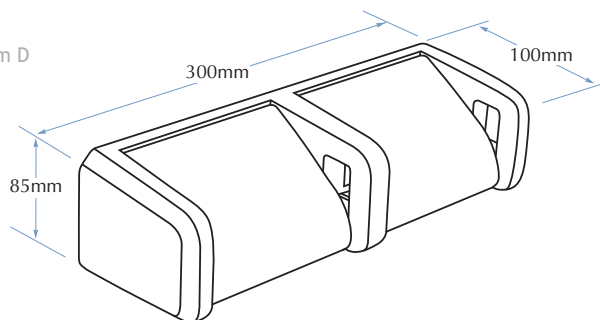
Overall Dimensions  
162mm W x 85mm H x 100mm D



### MODEL 5244

- ABS plastic
- Non-controlled delivery
- Dual roll

Overall Dimensions  
300mm W x 85mm H x 100mm D



### CONSTRUCTION:

UNITS: Fabricated of ABS plastic.

### CAPACITY:

Model 5044 holds one standard core toilet tissue roll.

Model 5244 holds two standard core toilet tissue rolls.

(Bradley Model 4004 x 2 Ply and Bradley Model 4008 x 1 Ply)

### INSTALLATION:

Secure to wall with mounting screws (included) at holes provided.

### GUIDE SPECIFICATION:

Surface mounted toilet tissue dispensers shall be ABS plastic.

**TOLL FREE 1300 364 561**

The manufacturer reserves the right to make changes in design and material without formal notice and without incurring obligation.

**Bradley**  
AUSTRALIA.COM