

Urban 4000 Series

Lifelong use and
endless appeal



Urban 4000 Series Rose Furniture

316 Tubular Stainless Steel

The dormakaba Urban 4000 series rose furniture is a high quality range of handles for commercial and domestic applications.

It is constructed of hygienic and corrosion resistant tubular 316 grade stainless steel and is suited for use in coastal or harsh conditions as well as to aesthetically please in an interior environment.

Levers are fitted onto a 53mm round rose mounting plate which has a clean 10mm projection of the door face. The Urban 4000 series is designed to compliment the dormakaba Australian mortice lock and tubular latch range, but equally compatible with similar Australian locks and latches. The option for a square rose finish is also available.

Dimensions

Round rose: 53mm diameter rose, 10mm thick with 41mm fixing centres.

Square rose: 57mm x 57mm, 10mm thick with 41mm fixing centres.

Fixings


Concealed fixing with 2 x 5/32 cross recessed countersunk screws through fixed.

Handing

Roses are non-handed and in most cases can be reversed (refer to lever designs for more information).

Fire Rating


The Urban 4000 series furniture is fire rated and comply with AS1905.1.

 - The Urban 4000 series door furniture has been tested on fire door assemblies in accordance with Australian Standards. Please refer to fire door manufacturer for specific approved details.

The Urban 4000 series is also available with privacy button on round rose and square rose

Disabled Access Compliance

A selection of lever handle designs comply with AS1428.1 2009.

 - Compliant levers are shown with this symbol next to the lever handle design.

Functions

Passage/standard- sold as a pair including spindle and fixing screws less latch.

Privacy - sold as a pair including spindle, fixing screws and a 60mm backset privacy latch.

Half Set - sold as the external lever and rose including fixing screws, spindle and backing plate.

Fixed Lever - half set levers can be fixed with the use of a SP8000-014 fixed spindle backing plate which can be purchased as an optional accessory.

Finishes

Satin Stainless Steel SSS

Polished Stainless Steel PSS

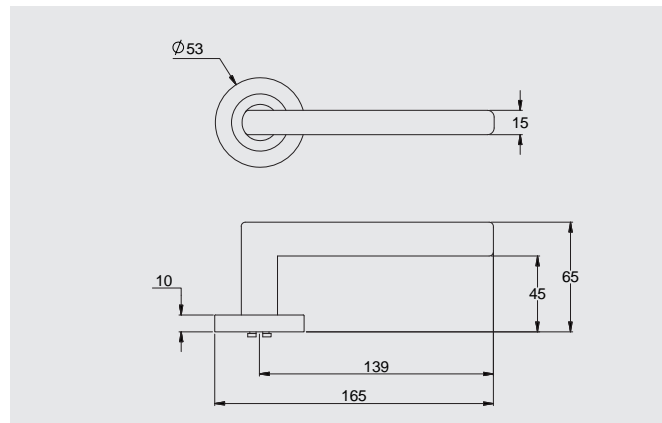
Special finishes include powdercoat, electroplating and PVD.



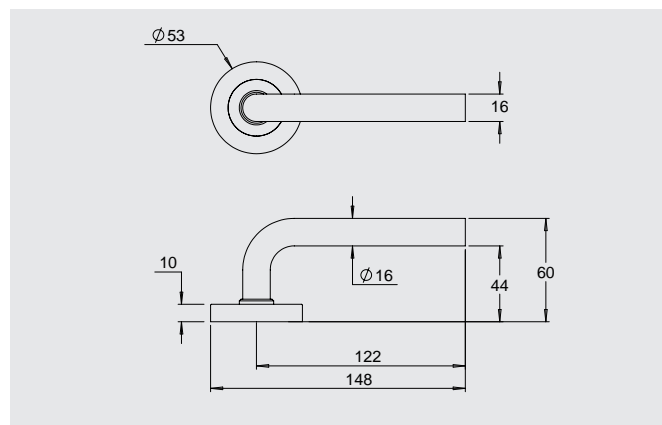
Urban 4000 Series

Round Rose

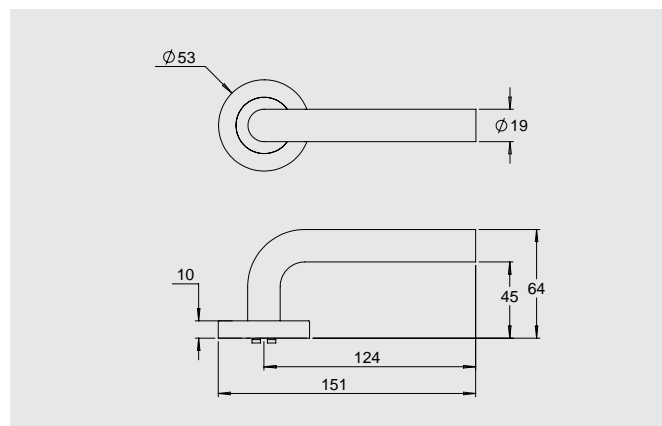
4300/27T



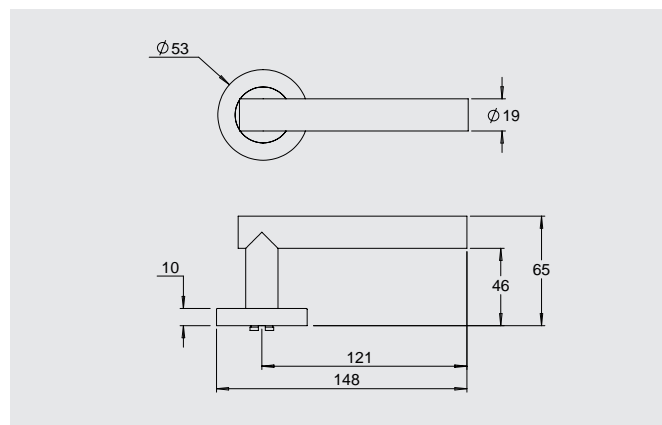
4300/40T



4300/45T

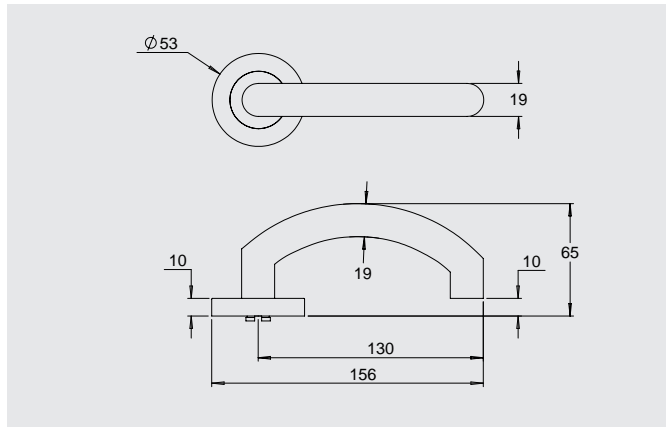


4300/55T

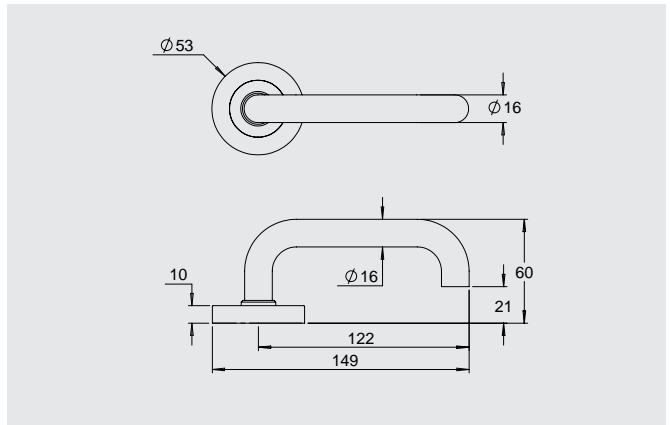


Urban 4000 Series Round Rose

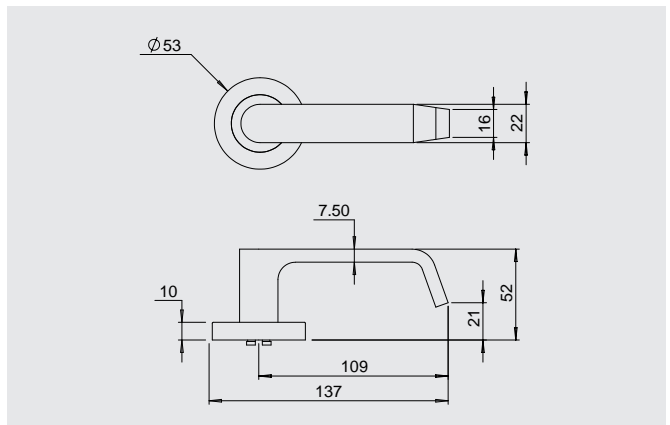
4300/60T



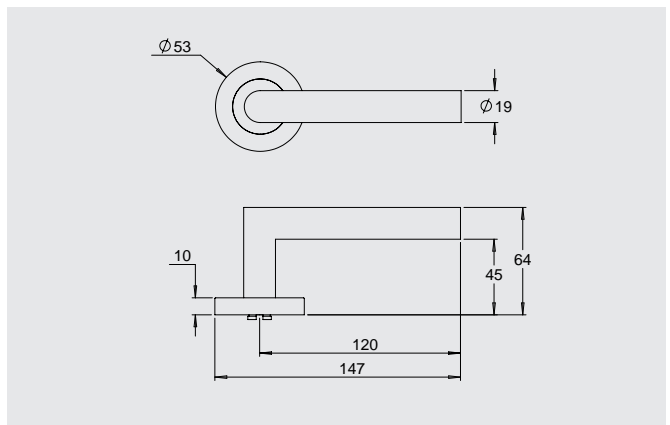
4300/70T



4300/75T



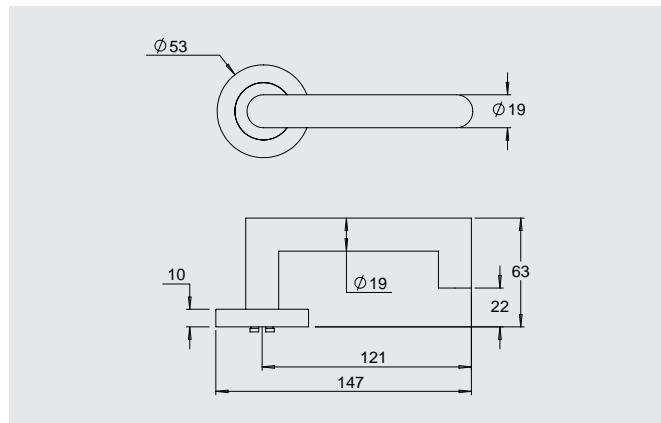
4300/80T



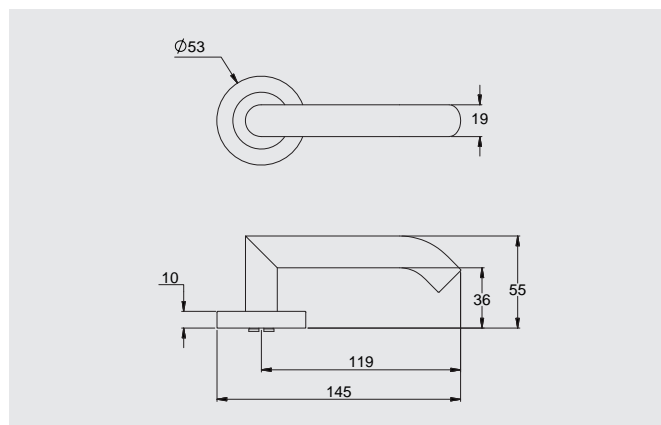
Urban 4000 Series

Round Rose

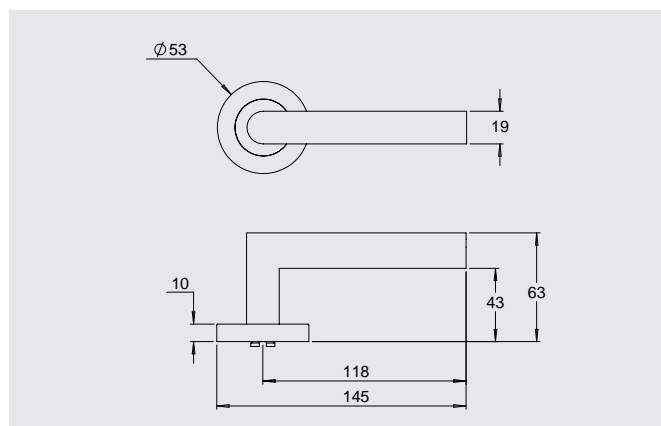
4300/81T



4300/82T



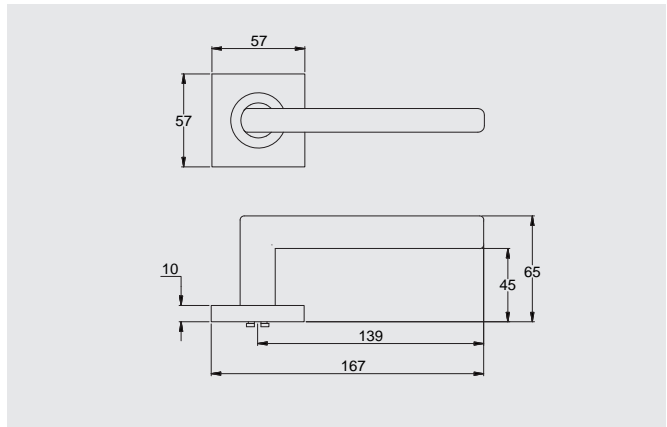
4300/85T



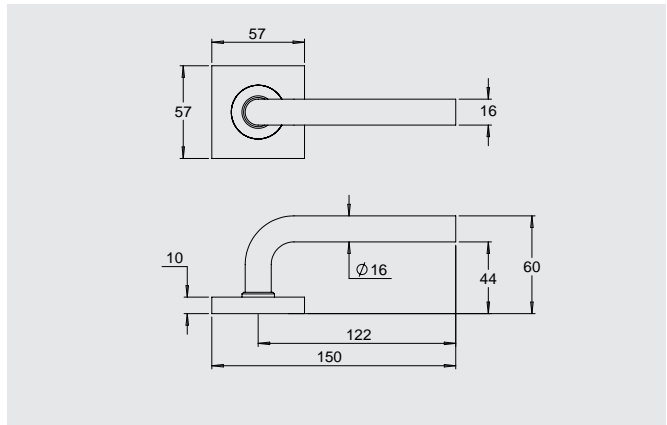
Urban 4000 Series

Square Rose

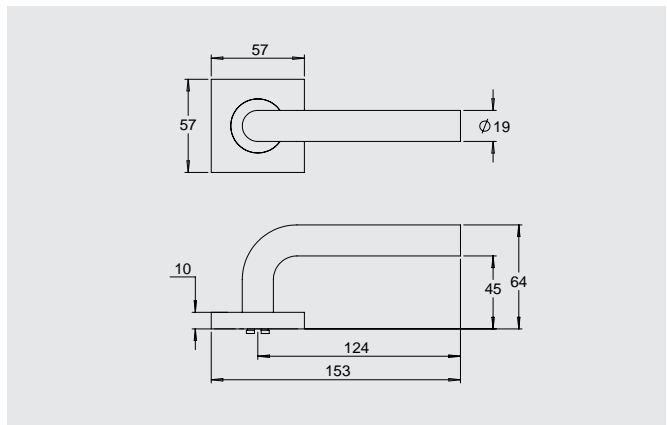
4400/27T



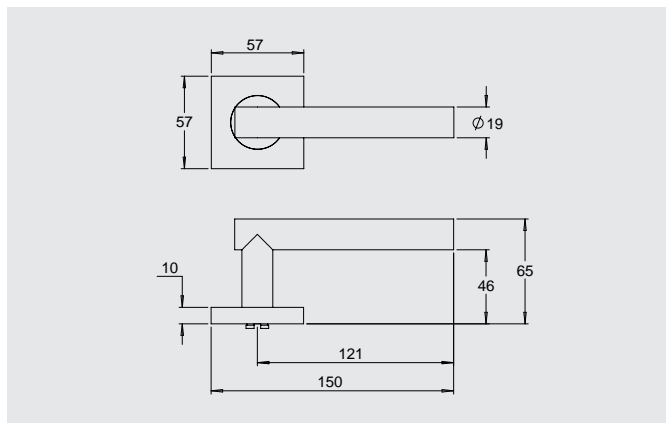
4400/40T



4400/45T



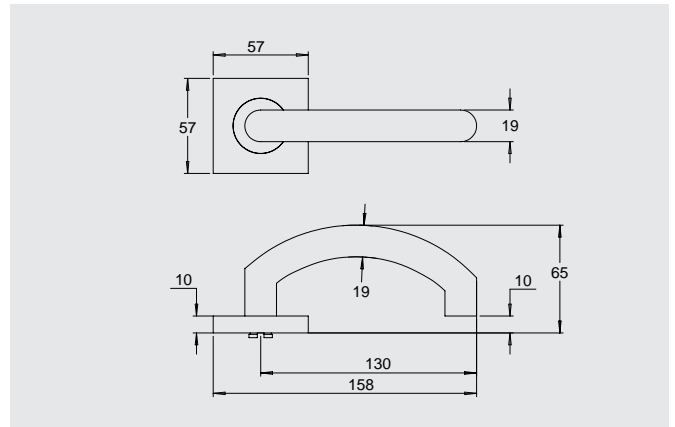
4400/55T



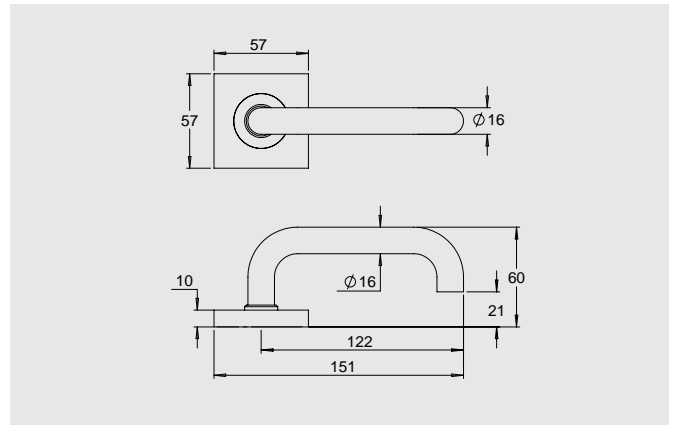
Urban 4000 Series

Square Rose

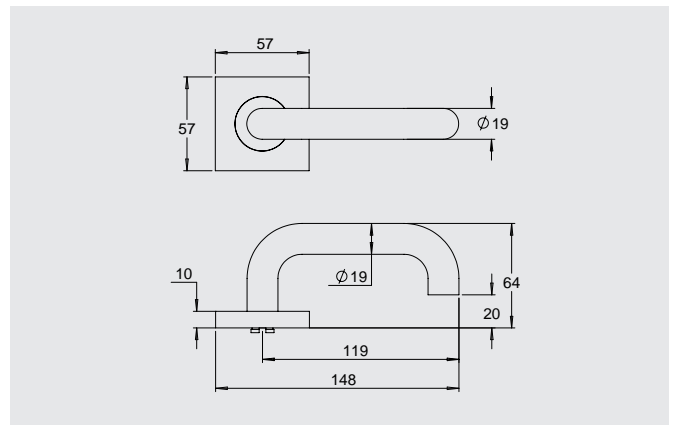
4400/60T



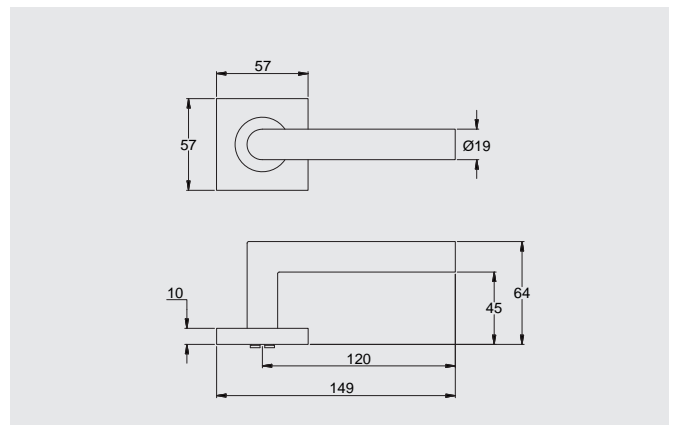
4400/70T



4400/75T



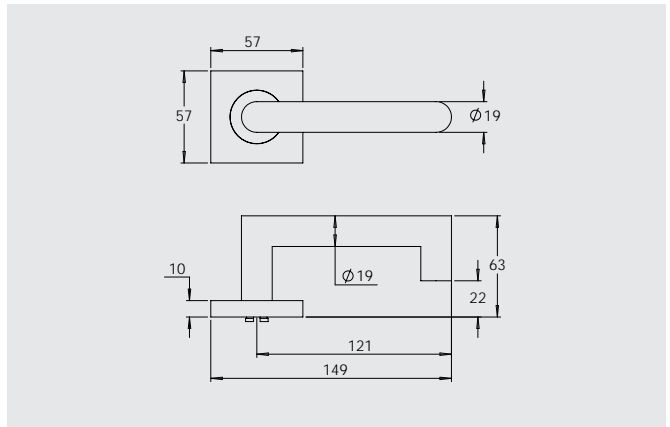
4400/80T



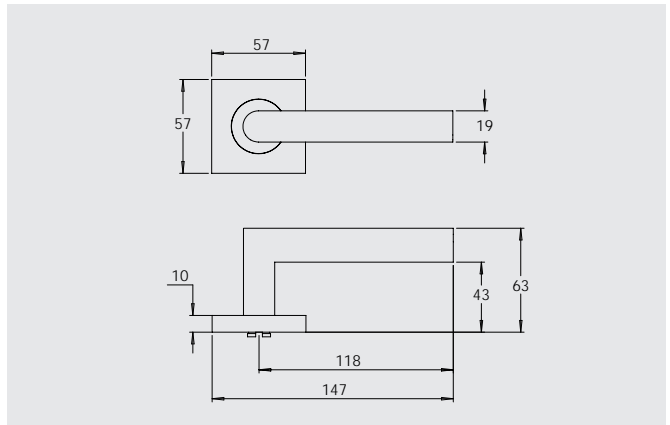
Urban 4000 Series

Square Rose

4400/81T



4400/82T



4400/85T

