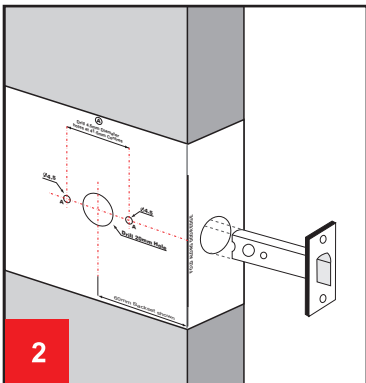
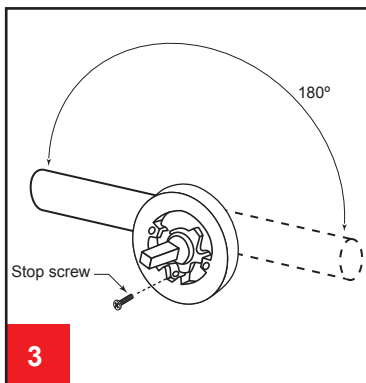


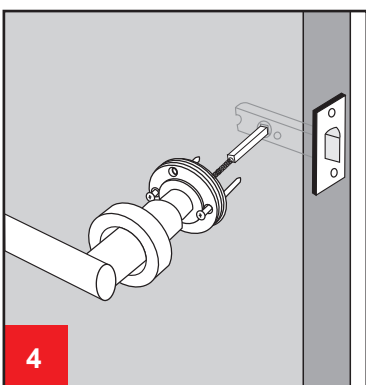
1. Position template and mark out drilling centres. **Important** also refer to lock/latch manufacturer's template prior to drilling. This template applies to bolt through fix lock/latch with a 60mm backset.



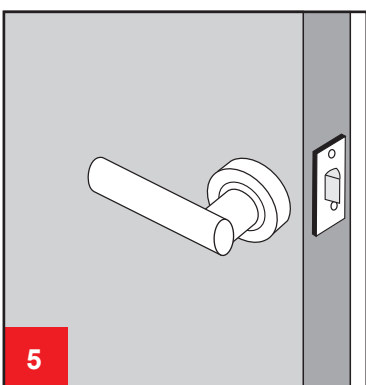
2. Drill holes in accordance with the template. **Important** Drill the 4.5mm holes half way through the door and repeat on the other side, with the holes meeting in the middle of the door.



3. Non handed levers
To change handing remove stop screw and rotate 180°. Then replace the stop screw.

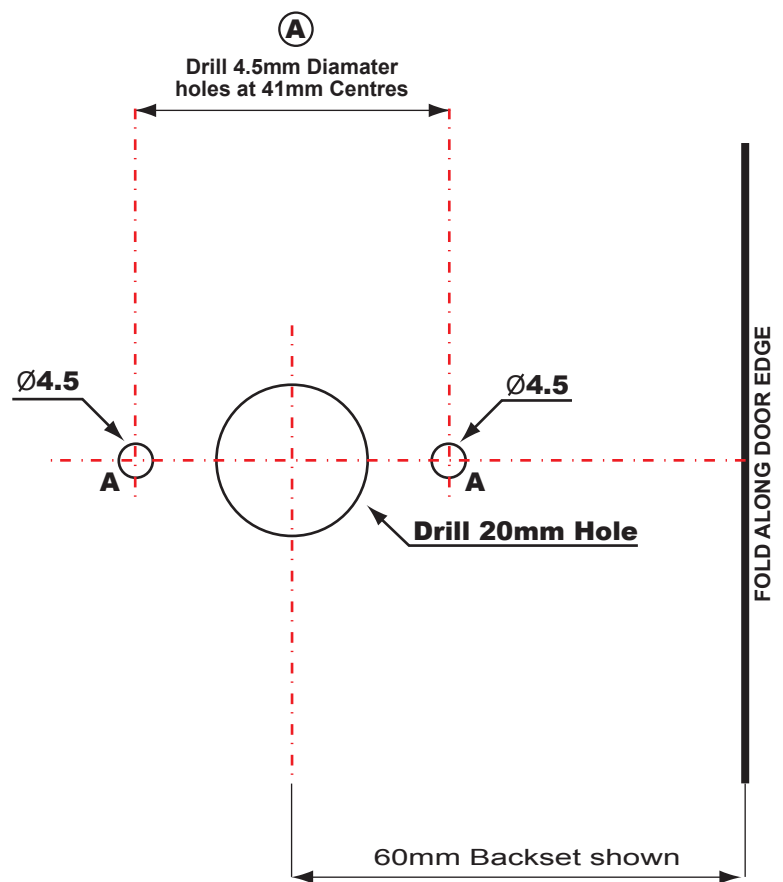


4. Insert spindle and spring supplied with levers to both sides of the door, as shown. Determine the correct screw length to suit the door thickness then cut screws.



5. Install furniture to the door do not tighten screws with excessive tension on power driver as this may damage screws and void warranty. Screw on outer roses to lever set to complete installation.

DORMA 5300 Series Door Furniture Template



Paper templates might distort due to air moisture. Only the indicated measurements are therefore obligatory.