

Coastal 4000 Series

Premium selection
offering functionality
and style



Coastal 4000 Series Rose Furniture

Solid 316 Stainless Steel

The dormakaba Coastal 4000 series rose furniture is a high quality range of handles for commercial and domestic applications.

It is constructed of hygienic and corrosion resistant solid 316 grade stainless steel and is suited for use in coastal or harsh conditions as well as to aesthetically please in an interior environment.

Lever handles are fitted onto a 53mm round rose mounting plate which has a clean 10mm projection of the door face. The Coastal 4000 series is designed to compliment the dormakaba Australian mortice lock and tubular latch range, but equally compatible with similar Australian locks and latches. The option for a square rose finish is also available.

Dimensions

Round rose: 53mm diameter rose, 10mm thick with 41mm fixing centres.

Square rose: 57mm x 57mm, 10mm thick with 41mm fixing centres.

Fixings


Concealed fixing with 2 x 5/32 cross recessed countersunk screws through fixed.

Handing

Roses are non-handed and in most cases can be reversed (refer to lever designs for more information).

Fire Rating


The Coastal 4000 series furniture is fire rated and comply with AS1905.1.

 - The Coastal 4000 series door furniture has been tested on fire door assemblies in accordance with Australian Standards. Please refer to fire door manufacturer for specific approved details.

The Coastal 4000 series is also available with privacy button on round rose and square rose

Disabled Access Compliance

A selection of lever handle designs comply with AS1428.1 2009.

 - Compliant levers are shown with this symbol next to the lever handle design.

Functions

Passage/standard- sold as a pair including spindle and fixing screws less latch.

Privacy - sold as a pair including spindle, fixing screws and a 60mm backset privacy latch.

Half Set - sold as the external lever and rose including fixing screws, spindle and backing plate.

Fixed Lever - half set levers can be fixed with the use of a SP8000-014 fixed spindle backing plate which can be purchased as an optional accessory.

Finishes

Satin Stainless Steel SSS

Polished Stainless Steel PSS

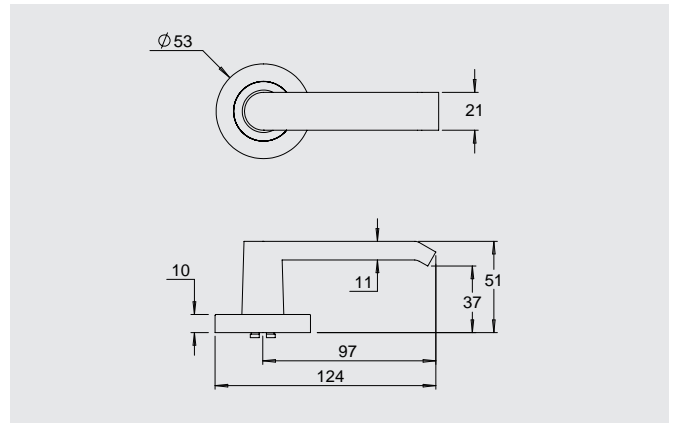
Special finishes include powdercoat, electroplating and PVD.



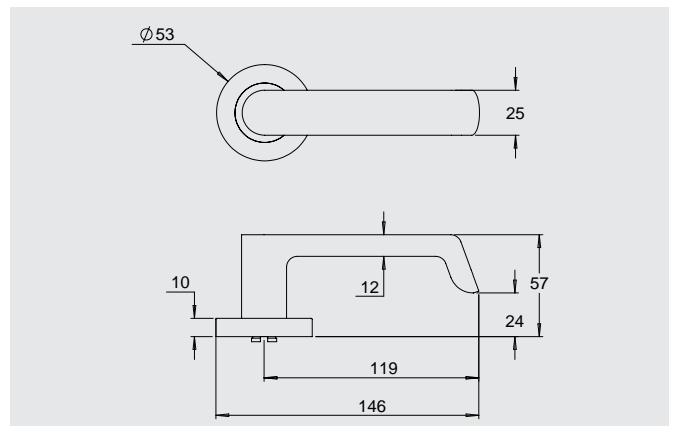
Coastal 4000 Series

Round Rose

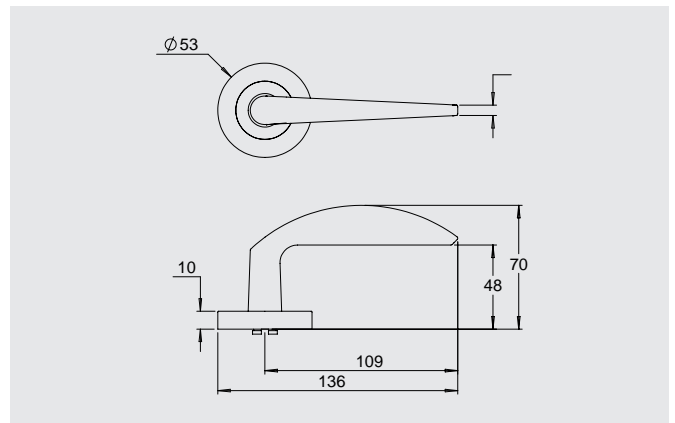
4300/20



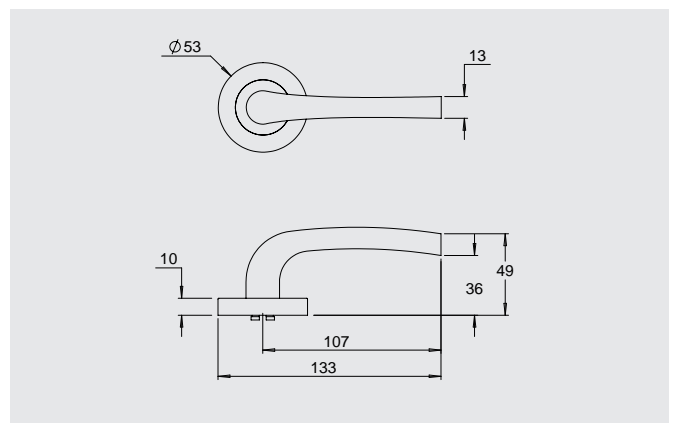
4300/21



4300/25

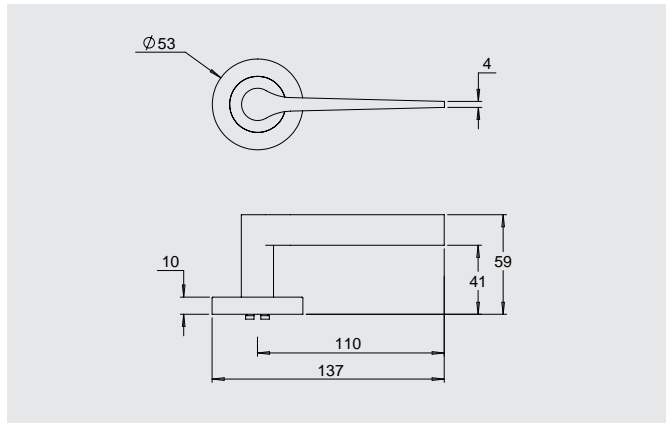


4300/32

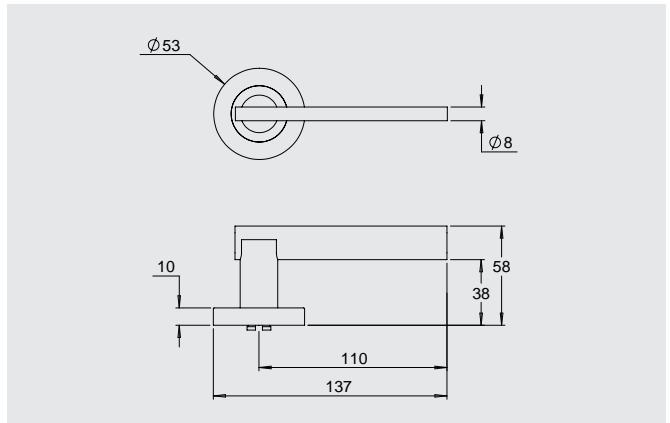


Coastal 4000 Series Round Rose

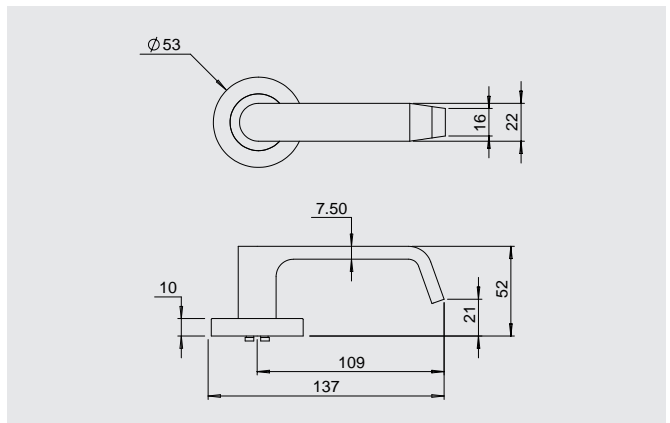
4300/34



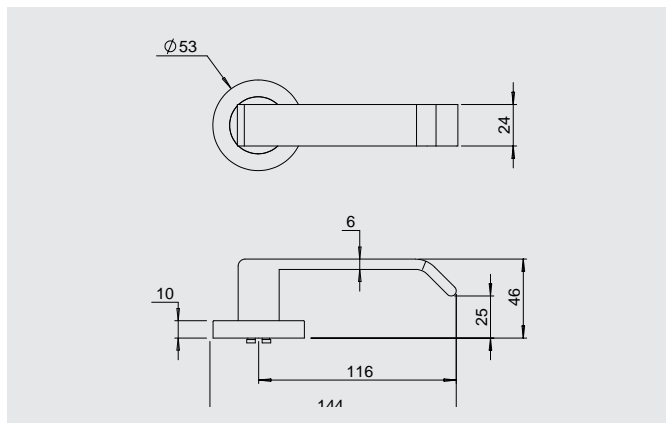
4300/36



4300/37



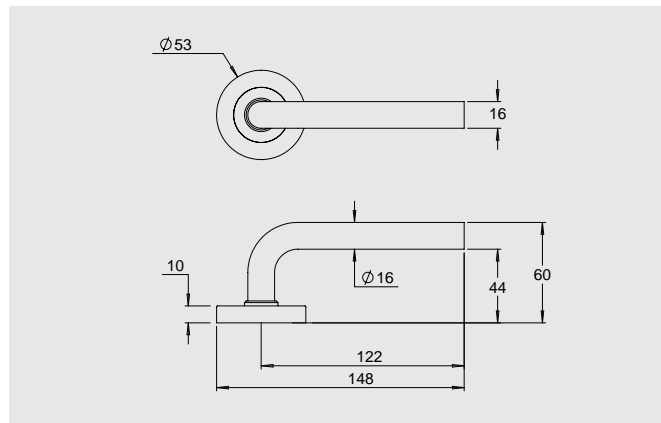
4300/39



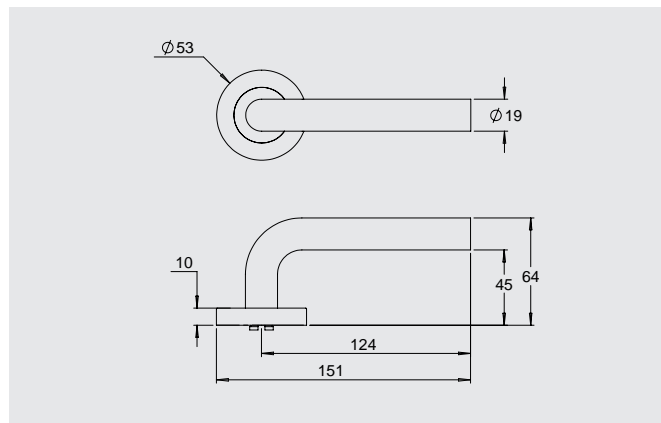
Coastal 4000 Series

Round Rose

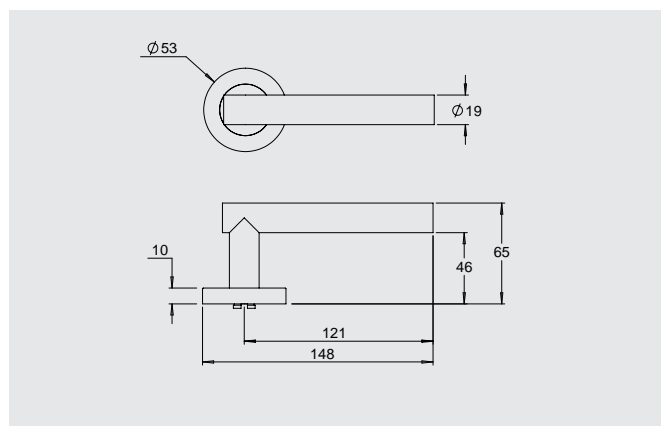
4300/40



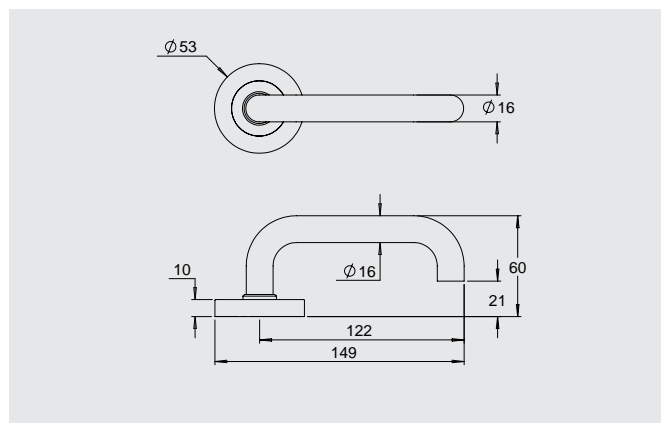
4300/45



4300/55

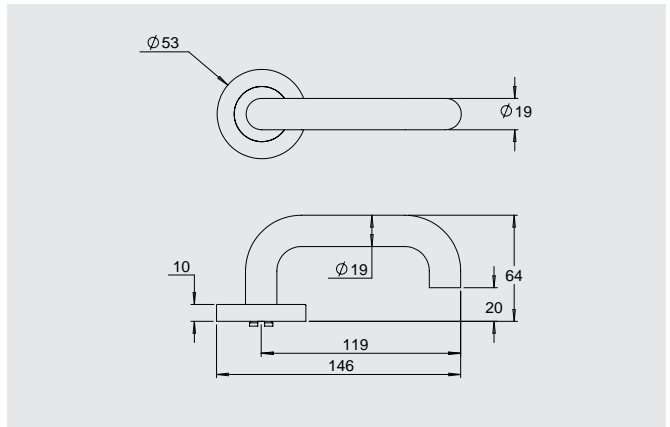


4300/70

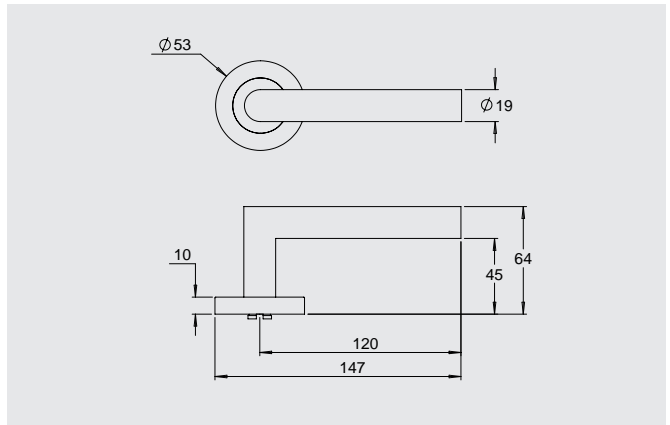


Coastal 4000 Series Round Rose

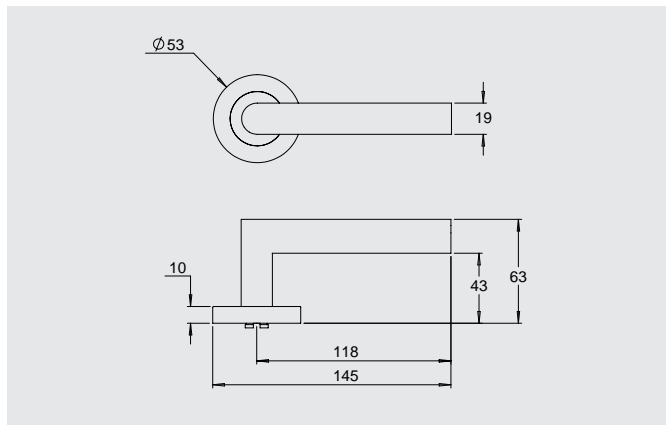
4300/75



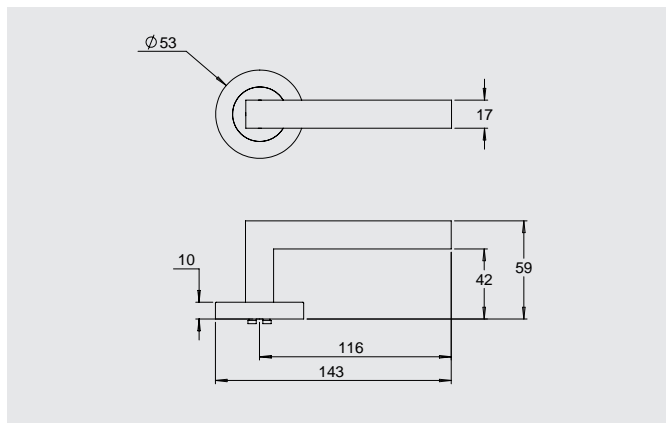
4300/80



4300/85



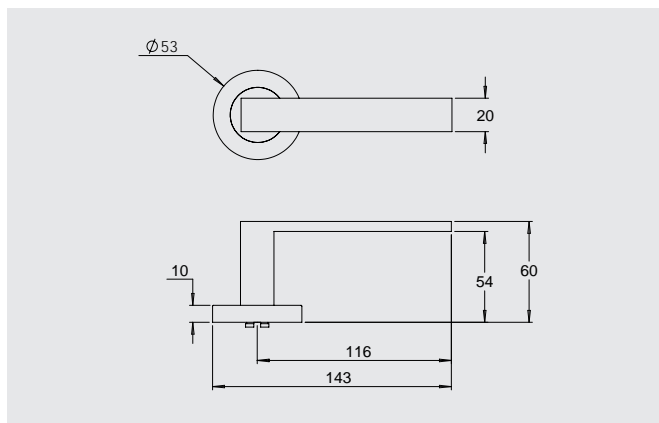
4300/90



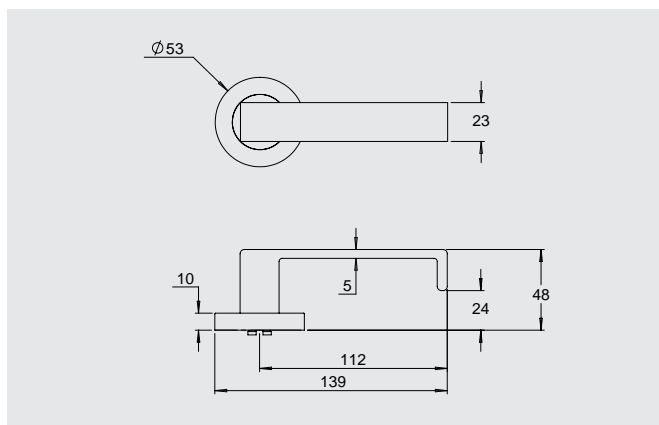
Coastal 4000 Series

Round Rose

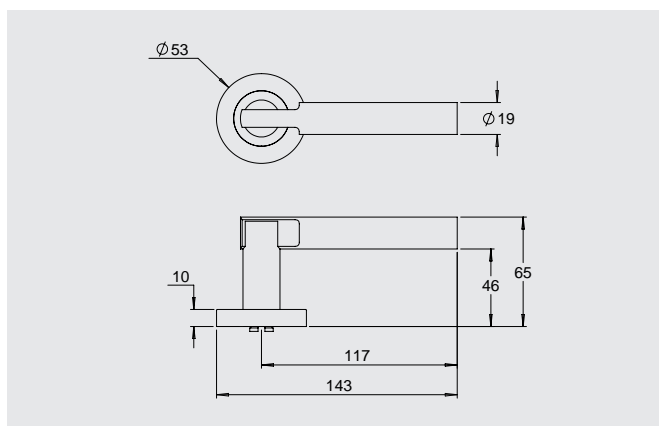
4300/100



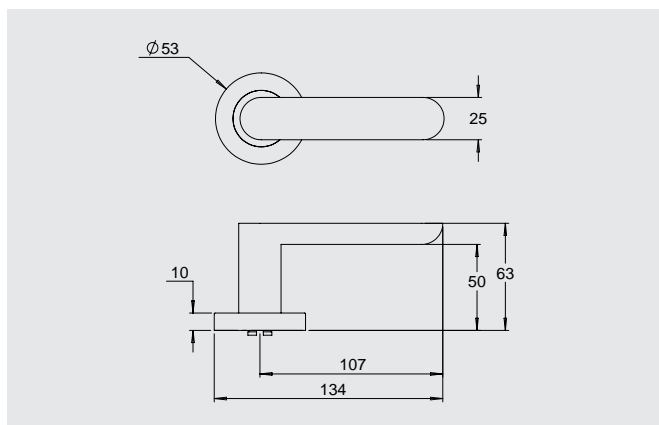
4300/101



4300/105

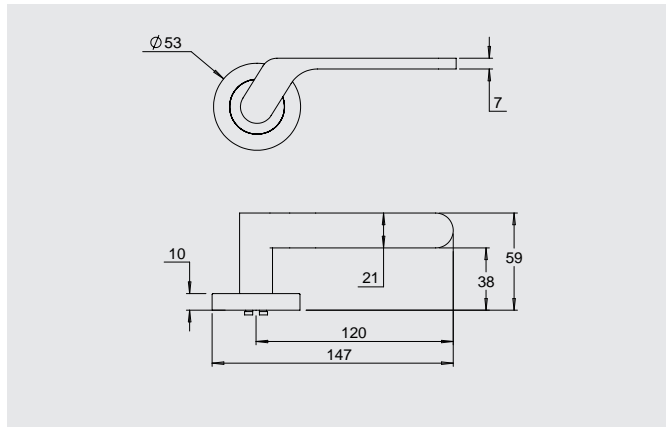


4300/110

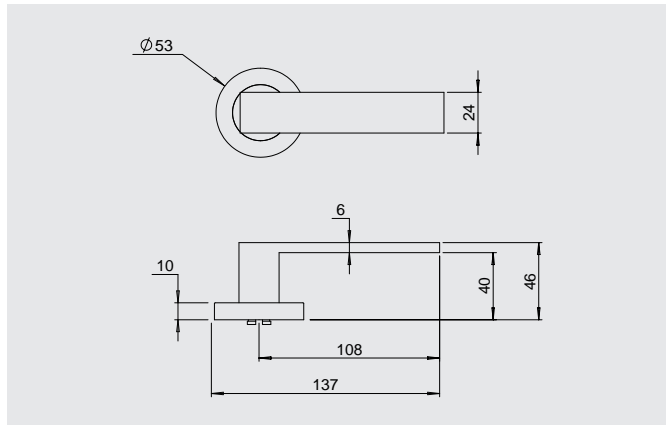


Coastal 4000 Series Round Rose

4300/114

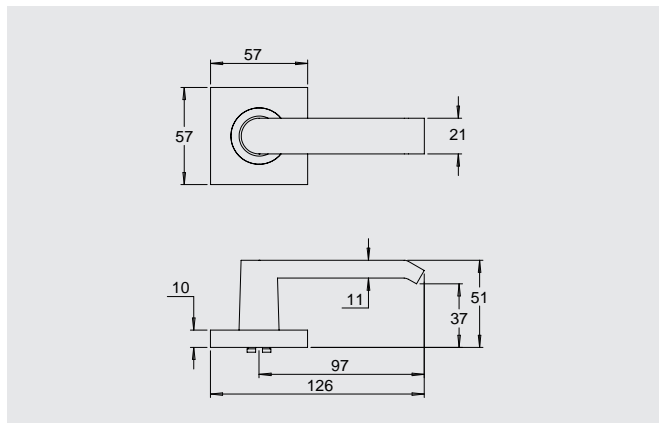
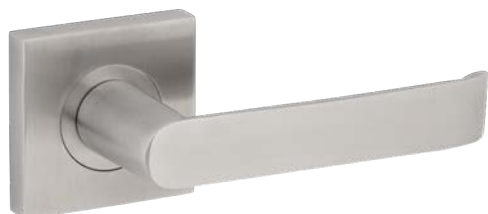


4300/120

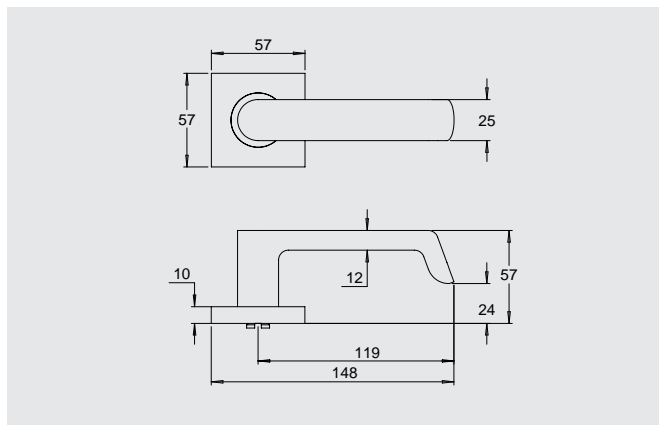


Coastal 4000 Series Square Rose

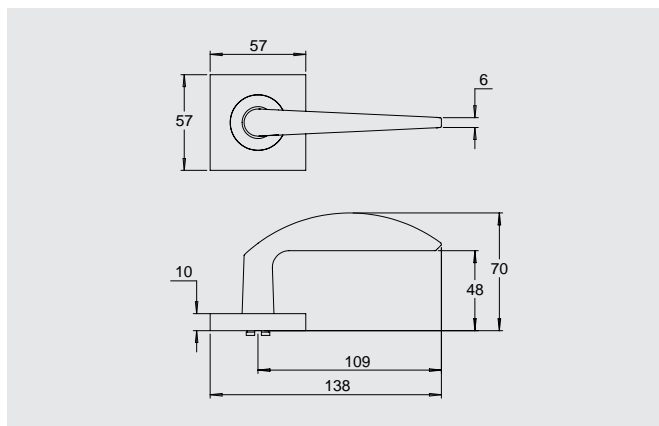
4400/20



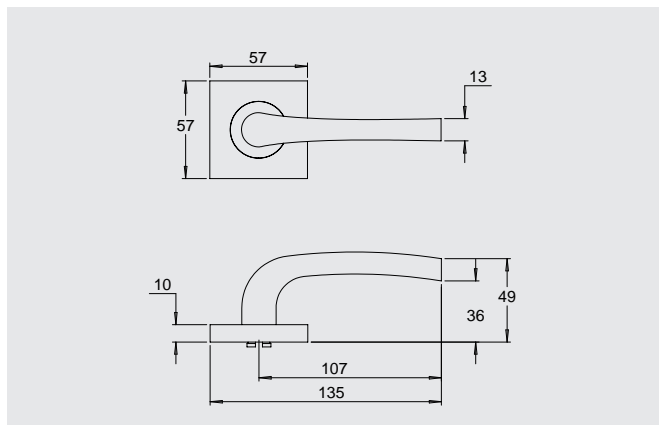
4400/21



4400/25

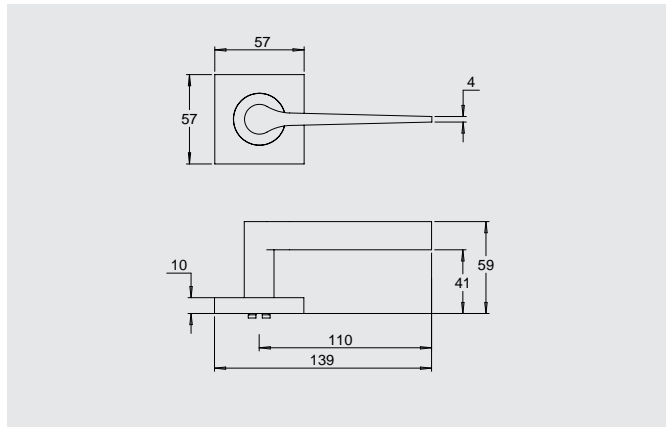
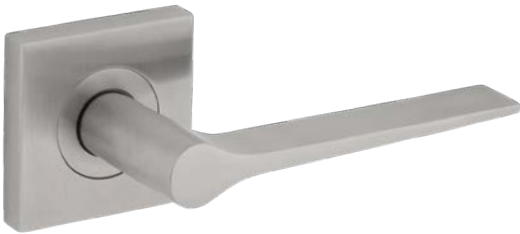


4400/32

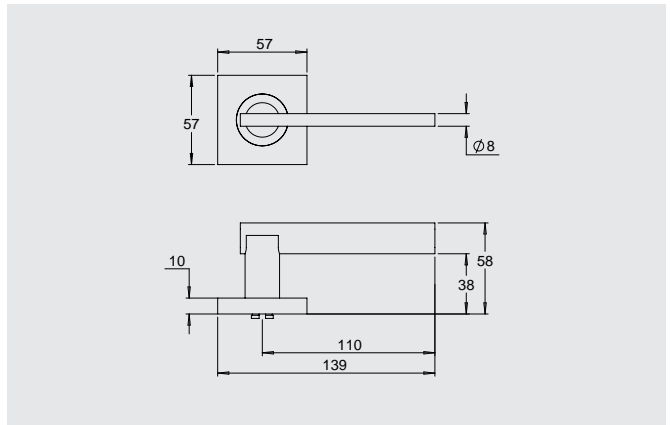


Coastal 4000 Series Square Rose

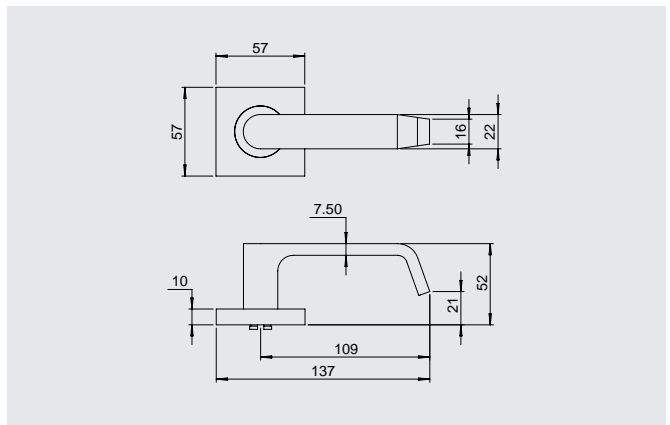
4400/34



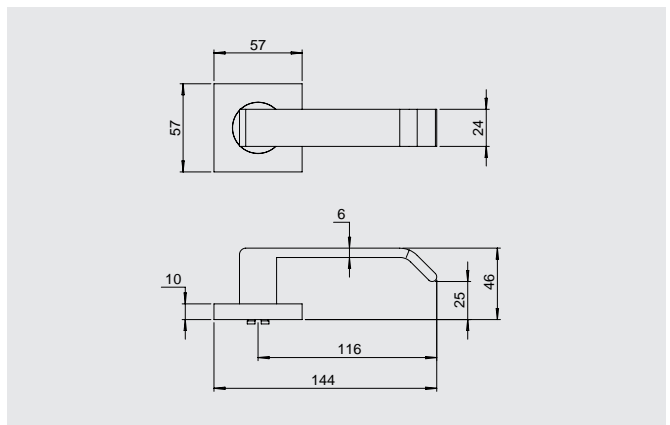
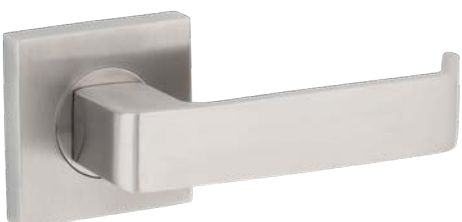
4400/36



4400/37



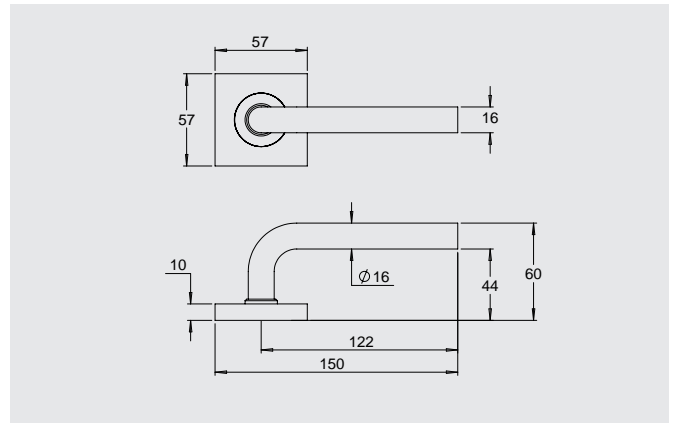
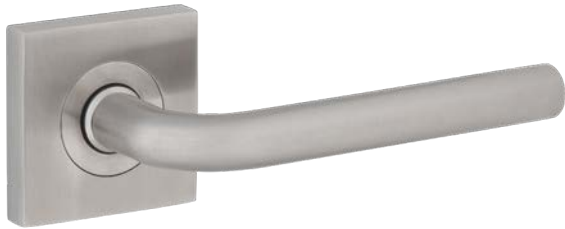
4400/39



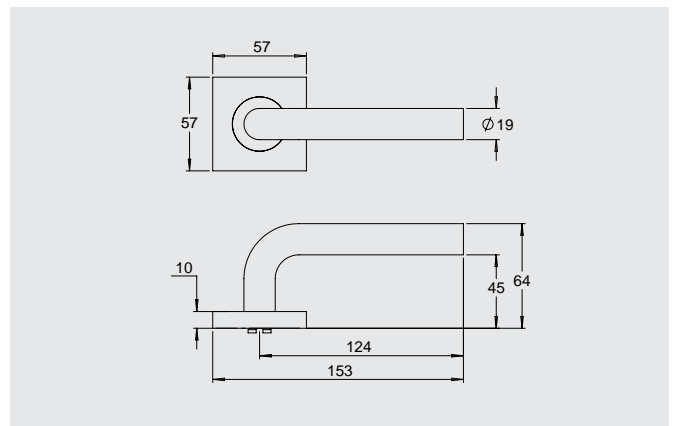
Coastal 4000 Series

Square Rose

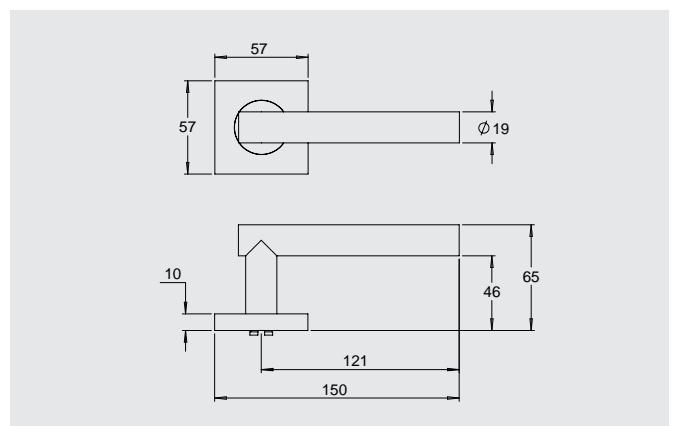
4400/40



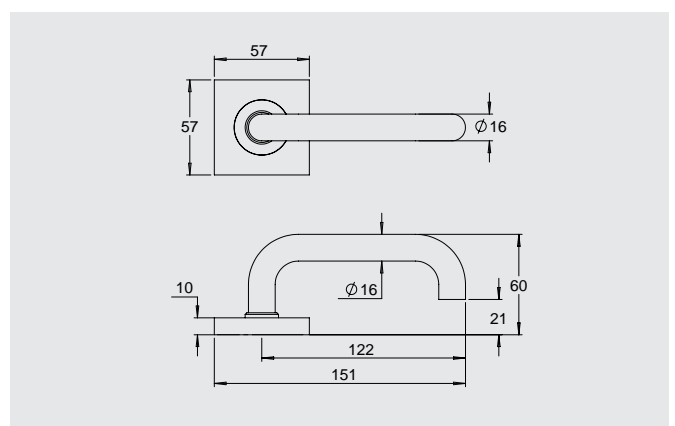
4400/45



4400/55



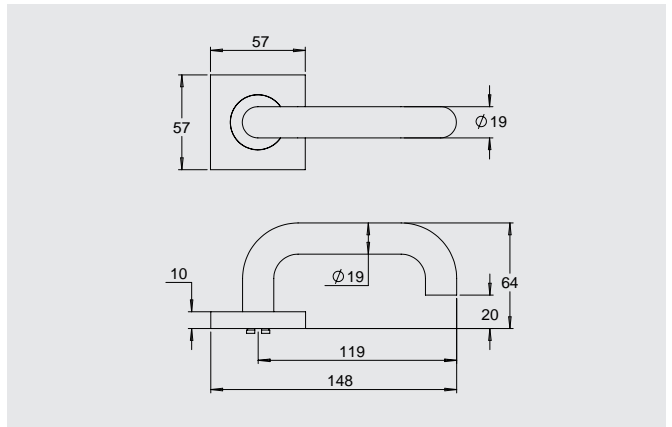
4400/70



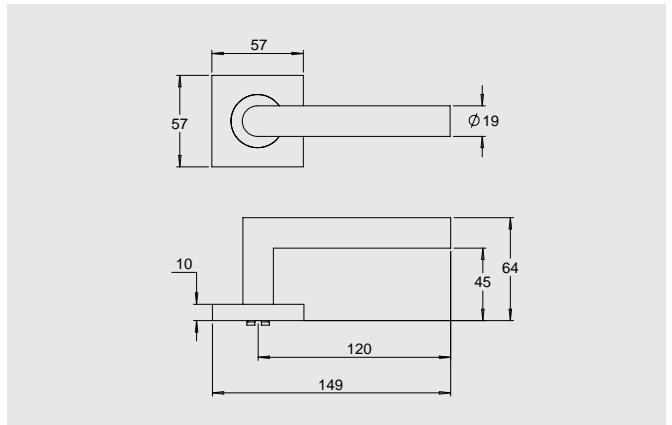
Coastal 4000 Series

Square Rose

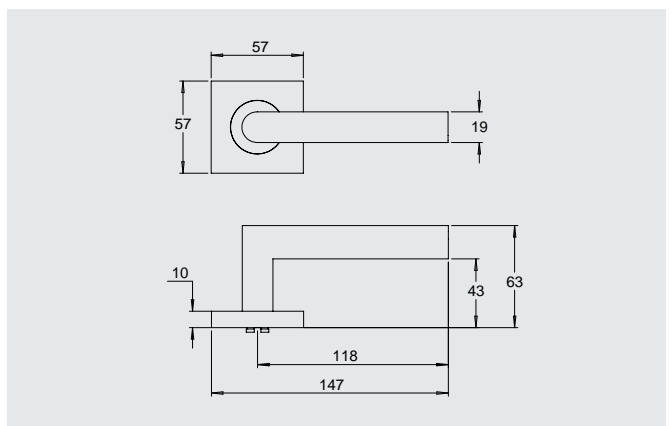
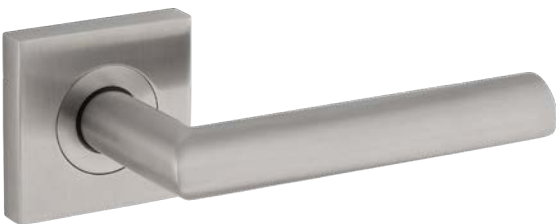
4400/75



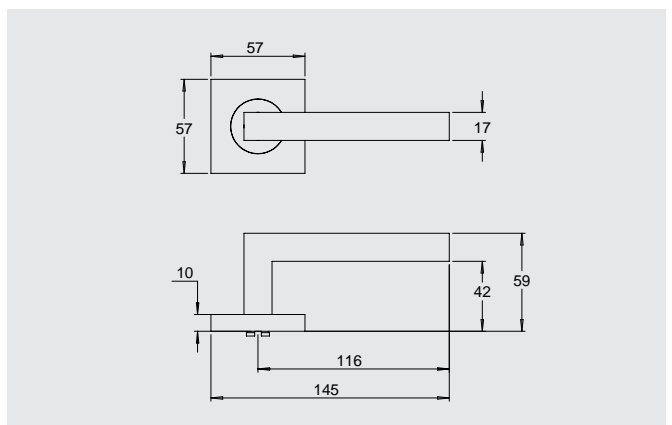
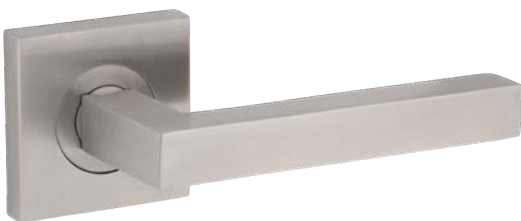
4400/80



4400/85

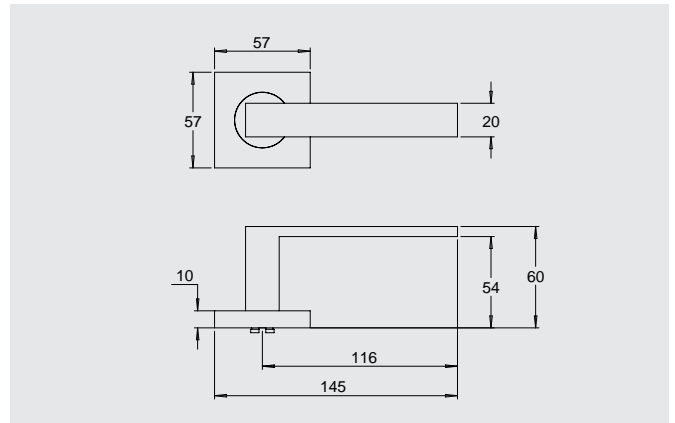


4400/90

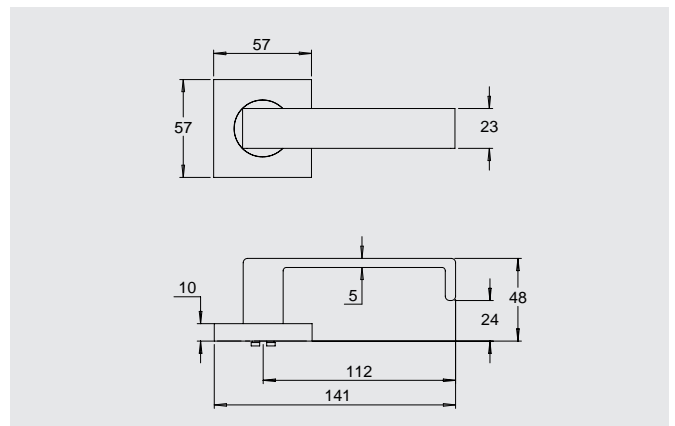
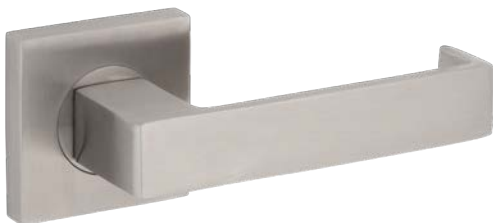


Coastal 4000 Series Square Rose

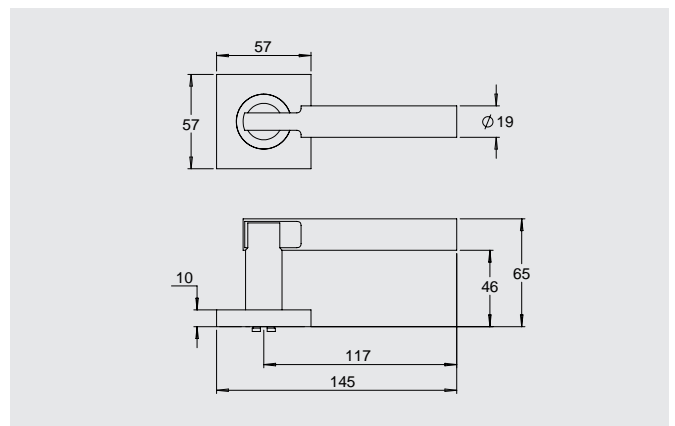
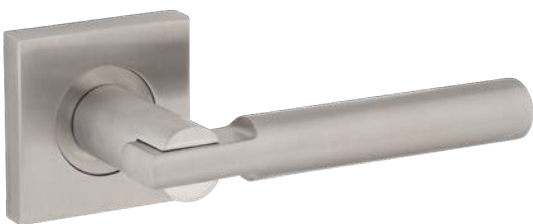
4400/100



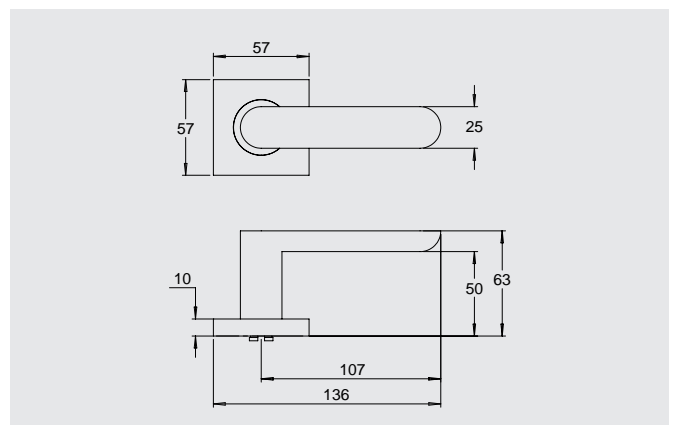
4400/101



4400/105



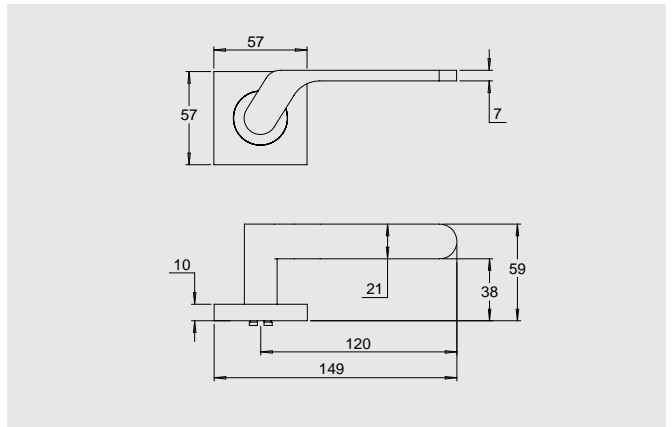
4400/110



Coastal 4000 Series

Square Rose

4400/114



4400/120

