

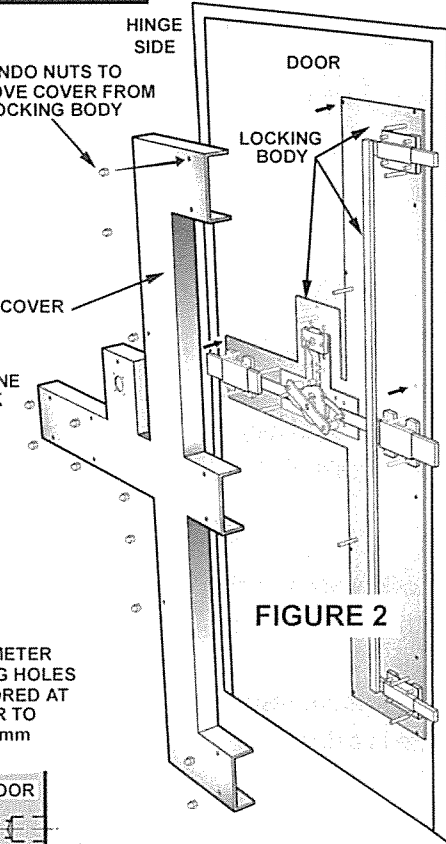
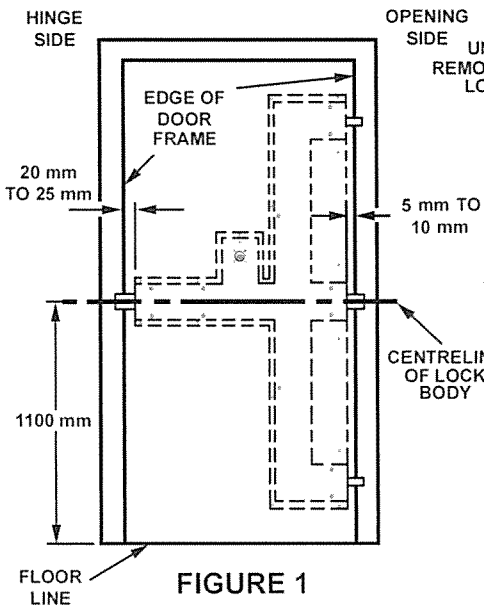
**RIVERS 410 FOUR POINT LOCK – OPEN IN DOOR**

1. Mark centreline of Lock across inside of door at desired height (nominally 1000mm from floor to centreline of Handle). (Fig. 1)
2. Position Lock onto door at pre-determined height & such that the clearance between Lock Body & edge of door is approximately 5-10 mm at opening side & 20-25mm at hinge side. (Fig. 1 & 2) Fix Lock to door using all self-tapping screws.
3. Screw inside handle to the lock.
4. With door closed, activate the Locking Bars so that they are extended over the door frame. Position the keepers over the locking bars & against the frame, ensuring that there is equal clearance around the bars. Fix them in position with screws supplied. (Fig. 7)
5. Ensure Lock operates smoothly & without resistance. Excessive force should not be required to activate Lock. Inside Lever Handle must operate in a downward motion & allow escape at all times.

PLEASE NOTE: RIVERS RESERVES THE RIGHT TO CHANGE SPECIFICATIONS WITHOUT NOTICE

RIVERS LOCKS SHOULD ONLY BE MOUNTED ONTO SOLID CORE DOORS

**410/420 FOUR POINT LOCK-OPEN IN DOOR**

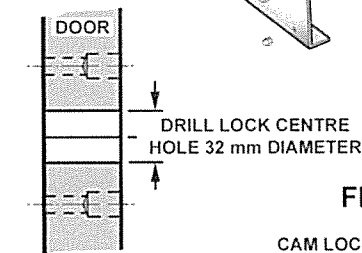
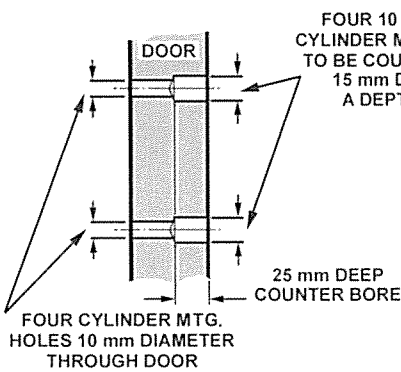
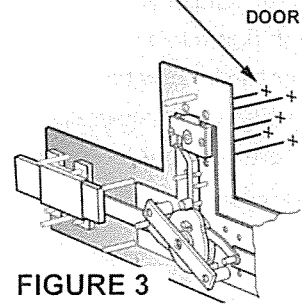


OPENING SIDE

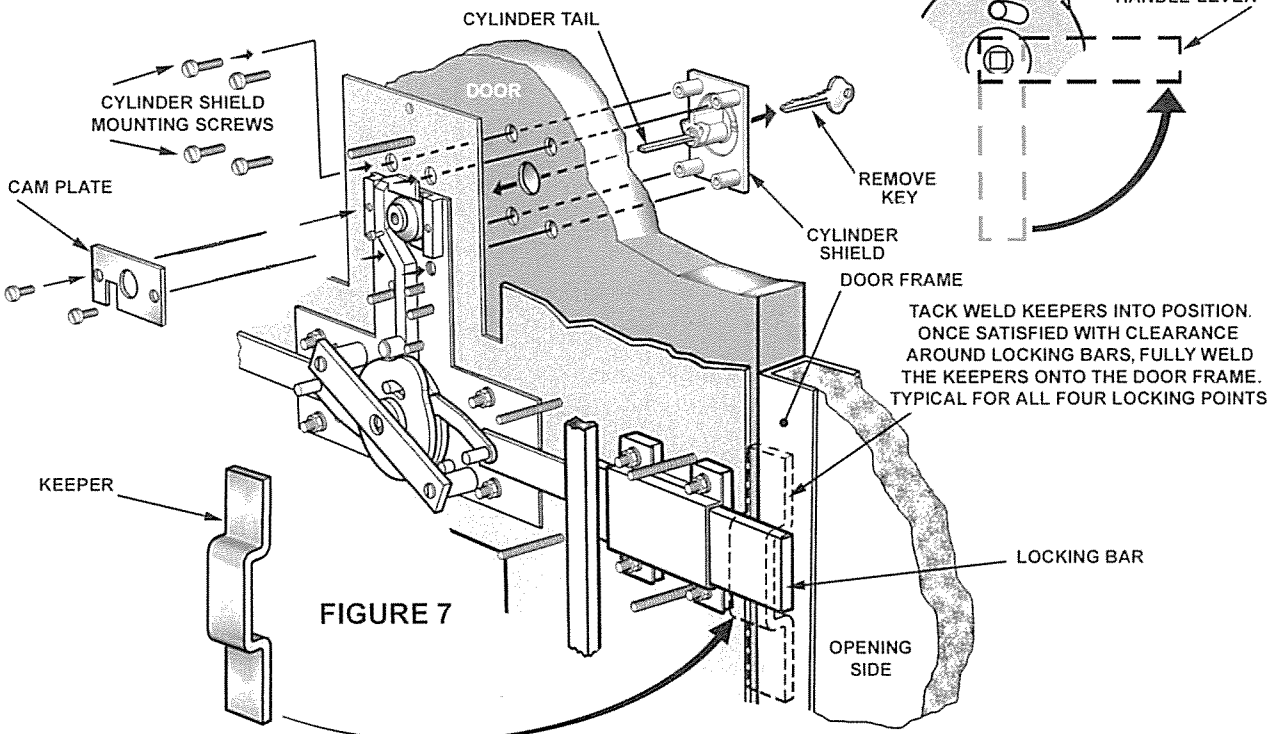
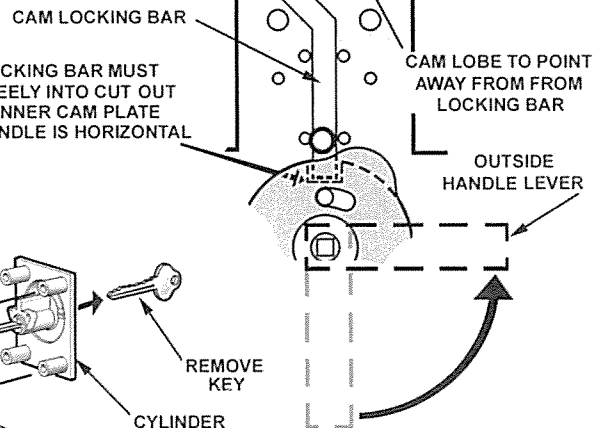
LOCKING BODY MOUNTS TO DOOR USING SELF-TAPPING SCREWS

WHEN CYLINDER MOUNTING HOLES ARE TO BE MARKED ONTO DOOR, USE ONLY 3 SELF-TAPPING SCREWS, TEMPORARILY, TO MOUNT LOCK TO DOOR OR, FOR LOCKS WITHOUT CYLINDERS, USE ALL SELF TAPPING SCREWS TO PERMANENTLY MOUNT LOCK TO DOOR

USING BACKING PLATE AS A TEMPLATE, MARK FOUR CYLINDER MOUNTING HOLES & CYLINDER CENTRE ON DOOR



**FIGURE 6**



---

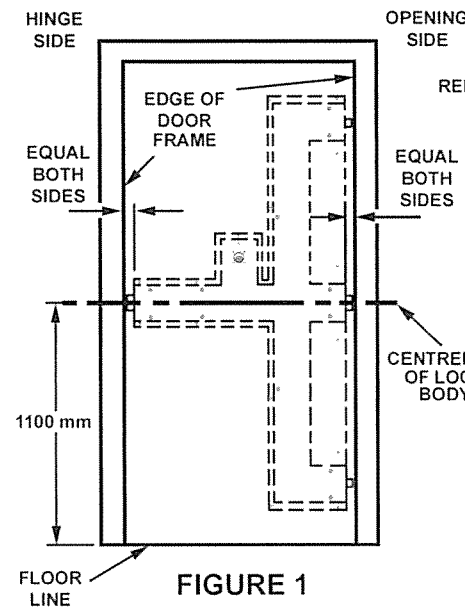
**RIVERS 410 FOUR POINT LOCK – OPEN OUT DOOR**

1. Mark centreline of Lock across inside of door at desired height (nominally 1000mm from floor to centreline of Handle). (Fig. 1)
2. Position Lock onto door at pre-determined height & such that the clearance between Lock Body & door jamb is equal on both sides. (Fig. 1) Fix Lock to door using self-tapping screws.
3. Screw handle to the lock.
4. With door closed, activate the Locking Bars so that they are touching on the door frame. Mark position of locking bars on frame (Fig. 8)
5. Drill a 12mm diameter hole in frame at top and bottom of each Locking Bar position. (Fig. 9) Use a small cutting wheel to splice between top & bottom holes, either side. (Fig. 10) This will create a slot in the frame to accept Locking Bars. If frame is concrete filled, drill out masonry to a depth so that Locking Bars will not 'bottom out' when fully extended.
6. Clean edges of slots & ensure smooth action of Lock when locking/unlocking.
7. Position striker plates over the locking bars and against the frame, hold in position & fix in place with self-tapping screws supplied.
8. Ensure Lock operates smoothly & without resistance. Excessive force should not be required to activate Lock. Inside Lever Handle must operate in a downward motion & allow escape at all times.

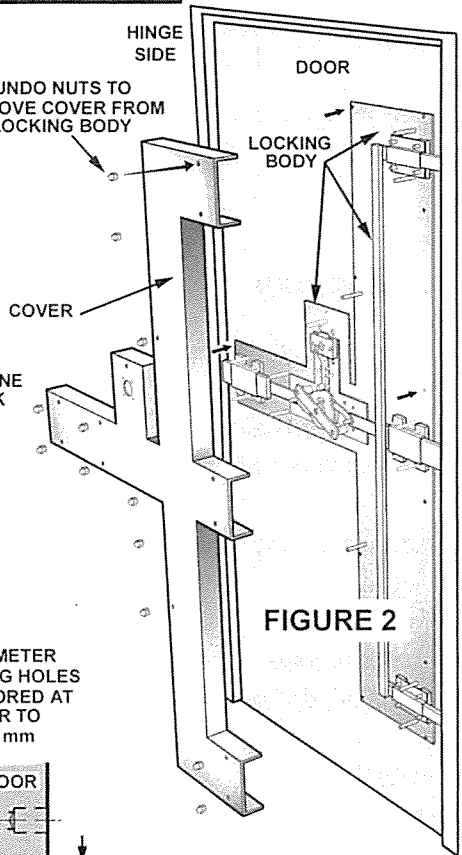
PLEASE NOTE: RIVERS RESERVES THE RIGHT TO CHANGE SPECIFICATIONS WITHOUT NOTICE

RIVERS LOCKS SHOULD ONLY BE MOUNTED ONTO SOLID CORE DOORS

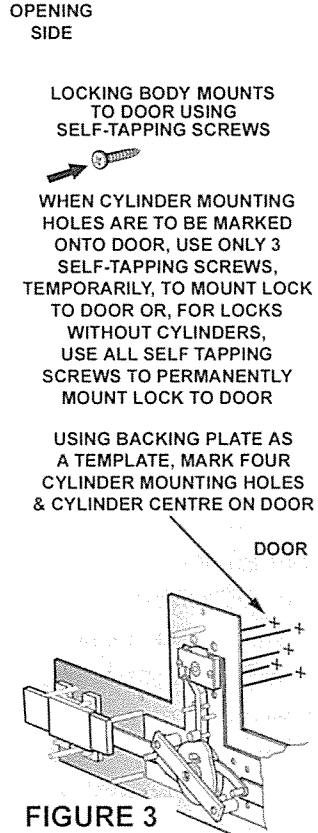
# 410/420 FOUR POINT LOCK-OPEN OUT DOOR



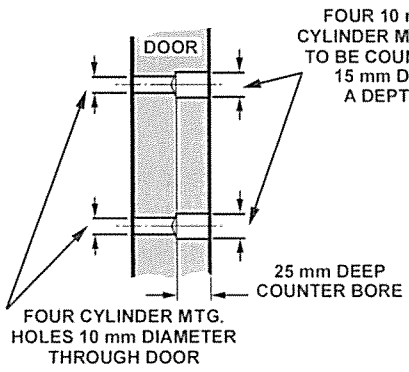
**FIGURE 1**



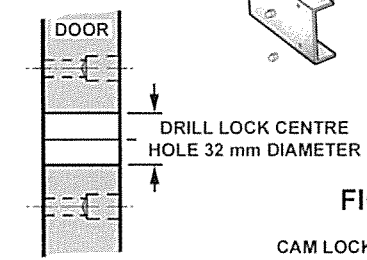
**FIGURE 2**



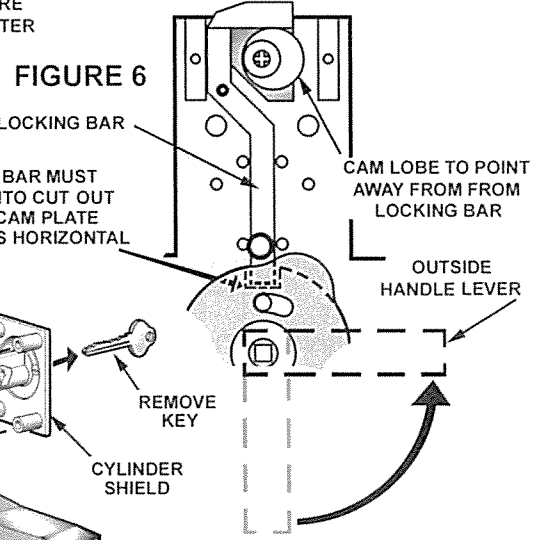
**FIGURE 3**



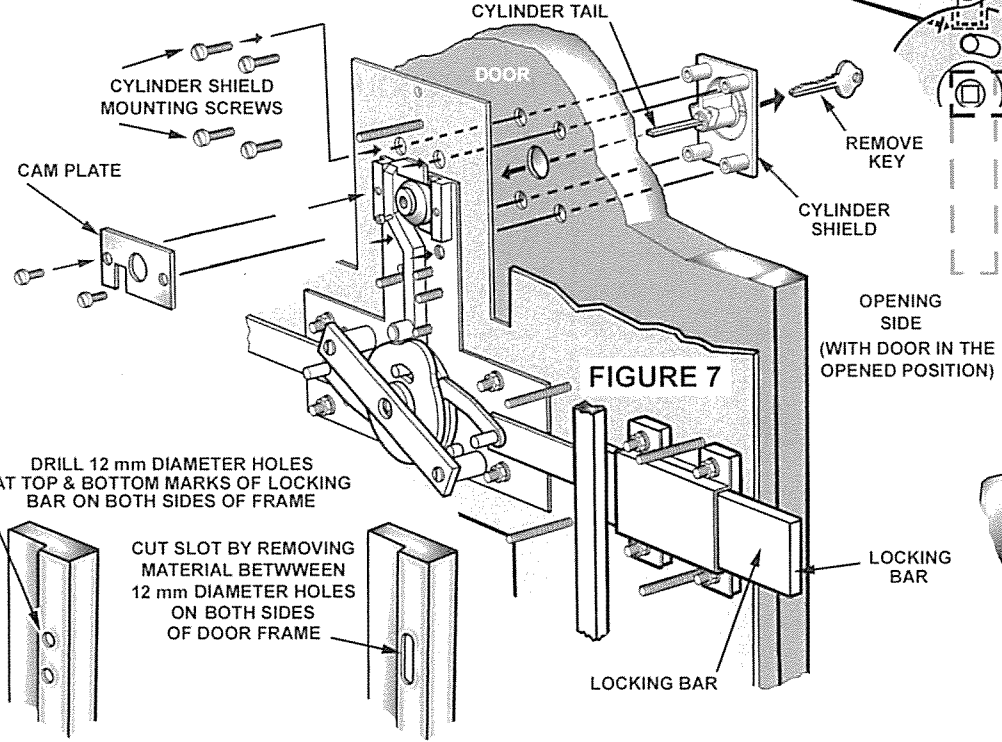
**FIGURE 4**  
TYPICAL SECTION  
FOUR CYLINDER  
MOUNTING HOLES



**FIGURE 5**

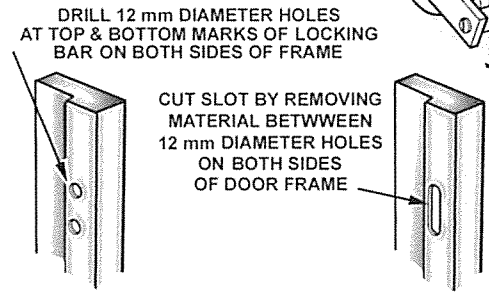


CAM LOCKING BAR MUST DROP FREELY INTO CUT OUT IN THE INNER CAM PLATE WHEN HANDLE IS HORIZONTAL



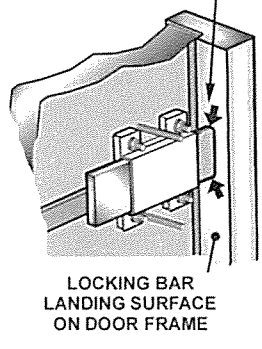
**FIGURE 7**

OPENING SIDE (WITH DOOR IN THE OPENED POSITION)  
MARK CENTRE POINTS AT TOP & BOTTOM OF LOCKING BARS ON BOTH SIDES OF DOOR FRAME



**FIGURE 9**

**FIGURE 10**



**FIGURE 8**