

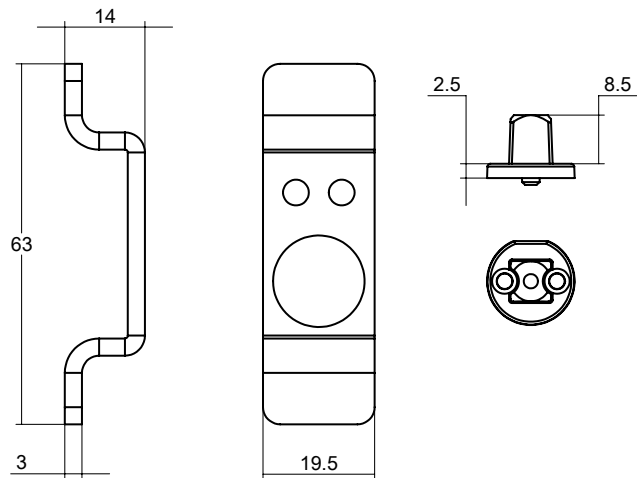
# Selector® 3780 Series Accessories

## Dual Entry Kit

Part Number	Application
3787-KIT570E	For new 3787 dual entry applications

Dual Entry Kit include: Lower cylinder mounting plate, spindle cam and mounting screws.

Cylinders must be ordered separately. Dual Entry Kit only suitable on doors 43-46mm thick.



## DX Digital Kits

Part Number	Application
3782-DXKITSC	DX Digital Kit
3782-DXKOKITSC	DX Digital with Key Override Kit

DX Digital kits include: Digital codepad, mounting plate, codepad spindle, associated mounting screws and a latching adaptor.

Cylinders and door furniture (4800 or 5800 series) must be ordered separately.

DX Digital with Key Override only suitable on doors 43-46mm thick.

