

## RECESSED WASTE DISPOSAL UNIT



### RETRO SERIES 344

- Waste receptacle
- Satin finish stainless steel

Overall Dimensions  
435mm W x 777mm H x 102mm D

### CONSTRUCTION:

**CABINET:** Fabricated of type 304 (18-8), heavy gauge stainless steel. All welded construction.

**FLANGE:** Fabricated of type 304 (18-8), 22 gauge stainless steel with exposed surfaces in architectural satin finish. One piece seamless construction, 25mm wide with 7mm return.

**WASTE RECEPTACLE:** Fabricated of type 304 (18-8), 22 gauge stainless steel. All welded construction. Secured to cabinet with tumbler lock keyed as other Bradley units.

**LINER:** (Optional) Heavy duty stitched vinyl coated nylon. Part No. P11-004.

**HINGED COVER:** (Optional) Fabricated of type 304 (18-8), 22 gauge stainless steel with exposed surfaces in architectural satin finish. Heavy duty stainless steel piano hinge.

**PUSH FLAP DOOR:** (Optional) Fabricated of type 304 (18-8), 22 gauge stainless steel with exposed surfaces in architectural satin finish. Heavy duty stainless steel piano hinge. Self-closing flap door is embossed 'PUSH'.

### CAPACITY:

45 litres.

### OPERATION:

Waste receptacle removable for servicing by unlocking waste container.

### INSTALLATION:

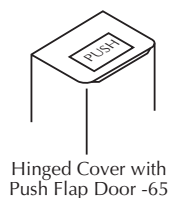
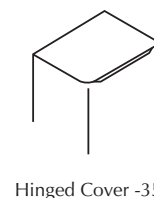
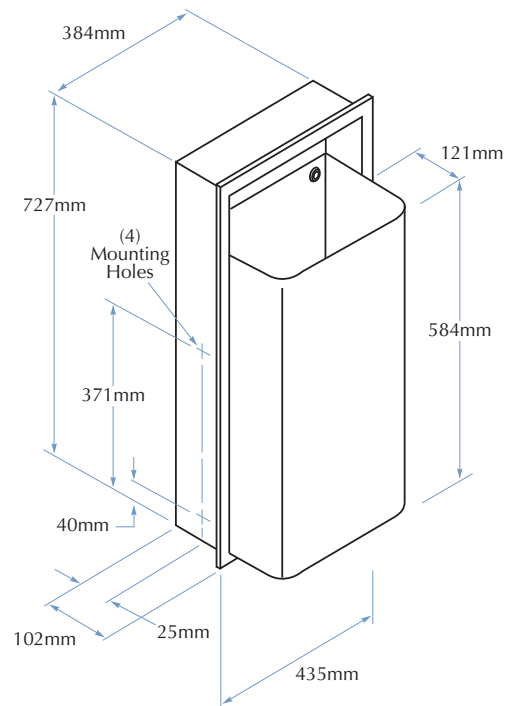
Recessed unit requires rough wall opening 394mm W x 737mm H x 102mm D (Semi-recessed unit only 51mm deep). Secure to framing with mounting screws (included) at holes provided. Shim at screw points as required.

### GUIDE SPECIFICATION:

Recessed waste receptacle shall be fabricated of type 304 (18-8), heavy gauge stainless steel with seamless exposed surfaces in satin finish. Removable 45 litre stainless steel waste receptacle secured to cabinet with tumbler lock. Heavy duty vinyl liner is optional.

## MODEL 344

Options:  
344-11 Surface Mounted  
(Waste Bin Projects 223mm)



TOLL FREE 1300 364 561

The manufacturer reserves the right to make changes in design and material without formal notice and without incurring obligation.

**Bradley**  
AUSTRALIA.COM