

300_SAFELOCK_SCP

Material Specifications

- Brass (Indicator)
- Diecast Zinc & Alloy ZP3 (Turnbolt)
- Diecast Zinc, Alloy ZP3 & ABS Snap on cover (Lift Off Staple)

Mounting

- Surface Mounted Concealed Screw Fix

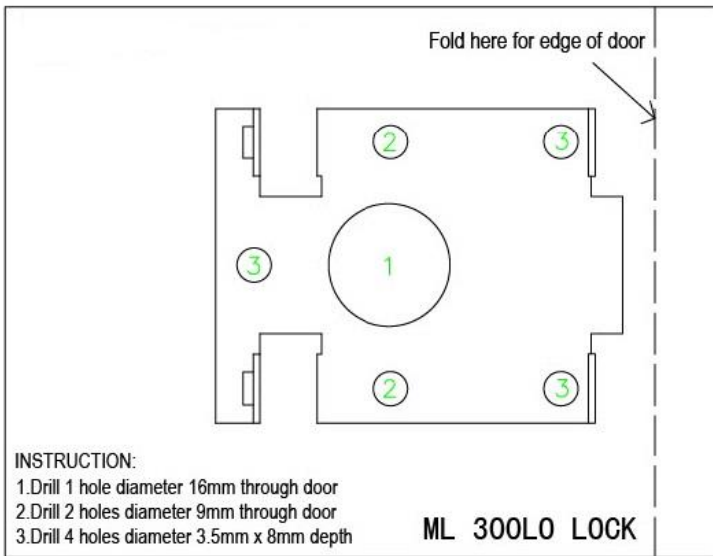
Dimensions

- **Indicator:** 50mm ϕ x 22mmD
- **Lock Body:** 68mmW x 50mmH x 32mmD
- **Lift Off Staple:** 33mmW x 49mmH x 11mmD

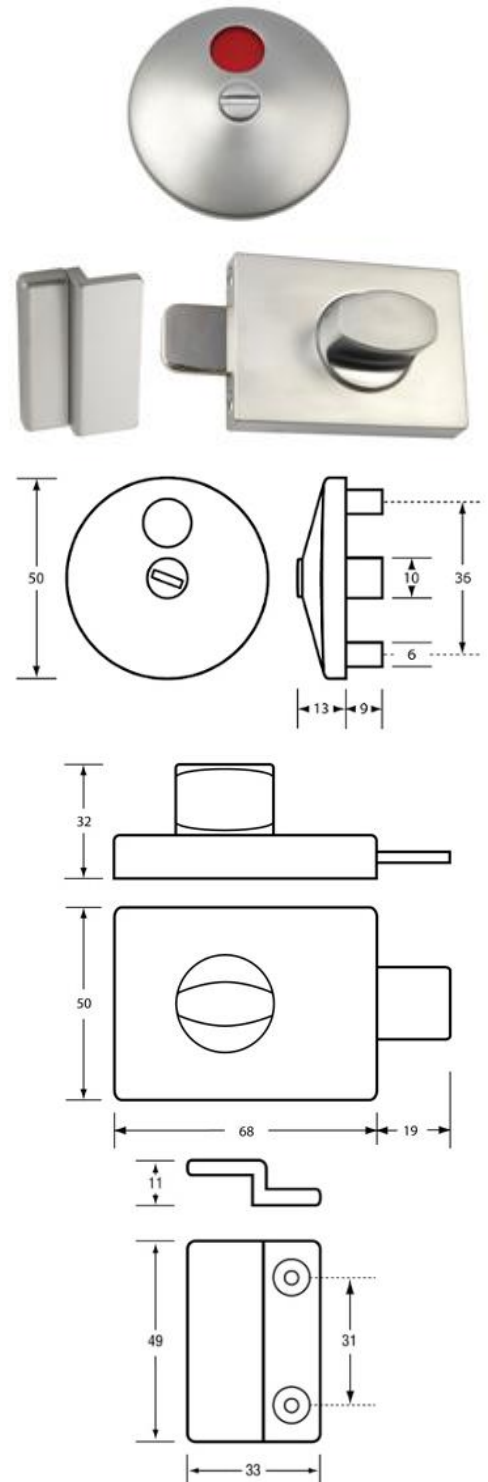
Finish

- **300_LOCK_SCP:** Satin Chrome Plate
- **300_LOCK_BCP:** Bright Chrome Plate
- **300_LOCK_SNP:** Satin Nickel Plate
- **300_LOCK_SPP:** Satin Pearl Plate
- **300_LOCK_ANMB:** Antimicrobial Coated

Installation Guidelines



*Drawing is not to scale



The technical recommendations contained in this document are necessarily of a general nature and should not be relied on for specific applications without first securing competent advice. Whilst Metlam Australia Pty Ltd has taken all reasonable steps to ensure the information contained herein is accurate and current, it does not warrant the accuracy or completeness of the information and does not accept liability for errors or omissions. Any Commercial product should only be installed by a competent tradesperson and serviced/maintained by knowledgeable janitorial staff or competent people. Metlam Australia accepts no responsibility for any damage to product, walls or fixtures due to incorrect installation or maintenance of any of their products.

The photographs and line drawings of the products presented above are representational only.
 Metlam Australia Pty Ltd reserves the right to, and from time to time, make changes and improvements in design and dimensions.